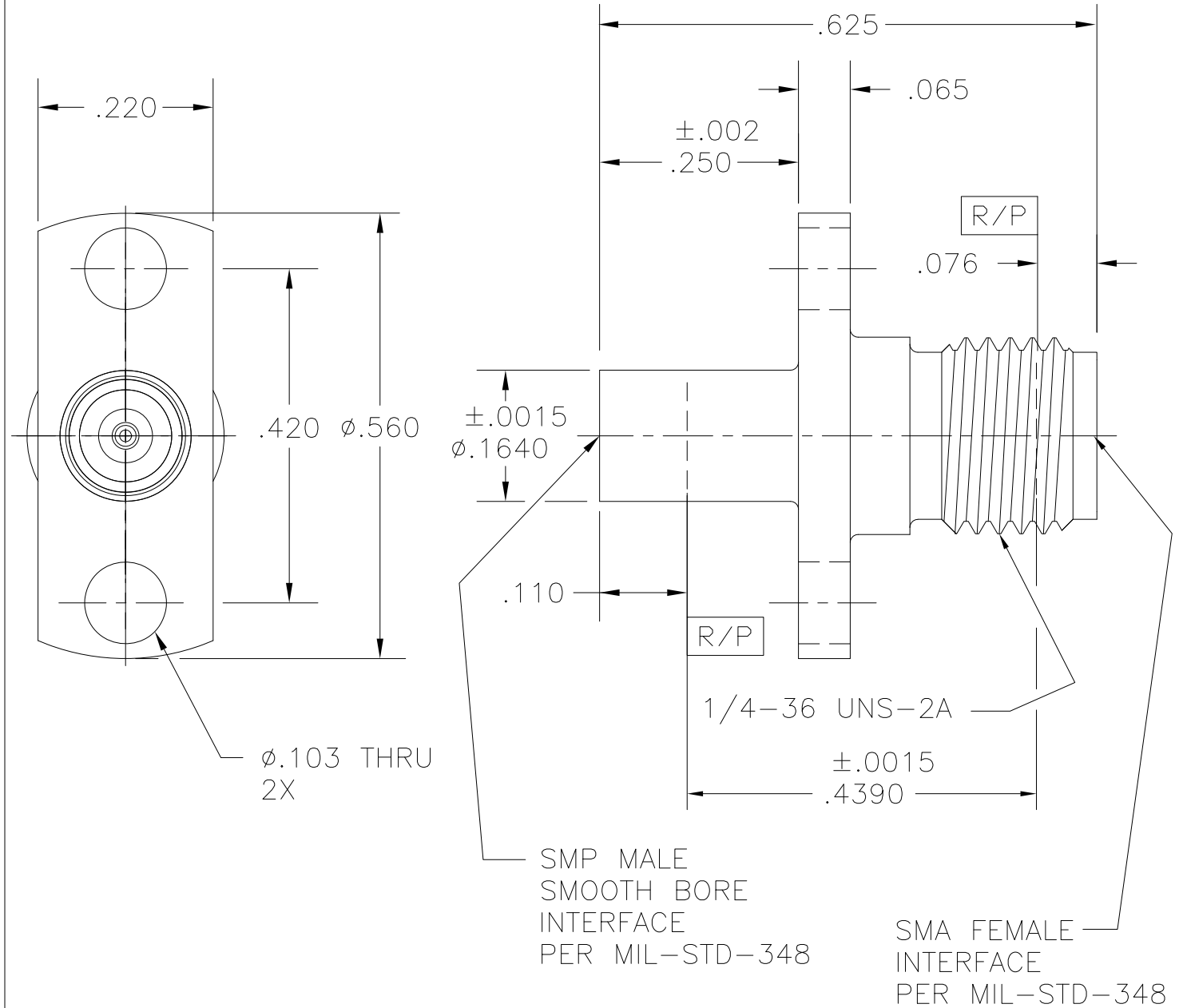


COMPONENT	MATERIAL AND FINISH	
CONTACT	BeCu, ASTM B196, UNS C17300	GOLD PLATE, MIL-G-45204, TYPE 1, GRADE C, CLASS 1
INSULATORS	PTFE, ASTM D1710, TYPE I, GRADE 1, CLASS A	
BODY, BUSHING	303 CRES, ASTM A582	PASSIVATE, QQ-P-35

PART NO. MADP-12585

OUTLINE DRAWING



MICRO-MODE PRODUCTS, INC.
The Reliable Connection to the Future

El Cajon, CA 92020
ph 619.449.3844
www.micromode.com

CAGE CODE
15907

ASSY PROCEDURES: N/A

INSERTION/EXTRACTION TOOL: N/A

SMP MALE (SB) TO SMA (F)
ADAPTER (2 HOLE FLANGE MOUNT)

PART NO.

MADP-12585

REVISION

A

SHEET 1 OF 1 | OL12585 5-29-13 MP .