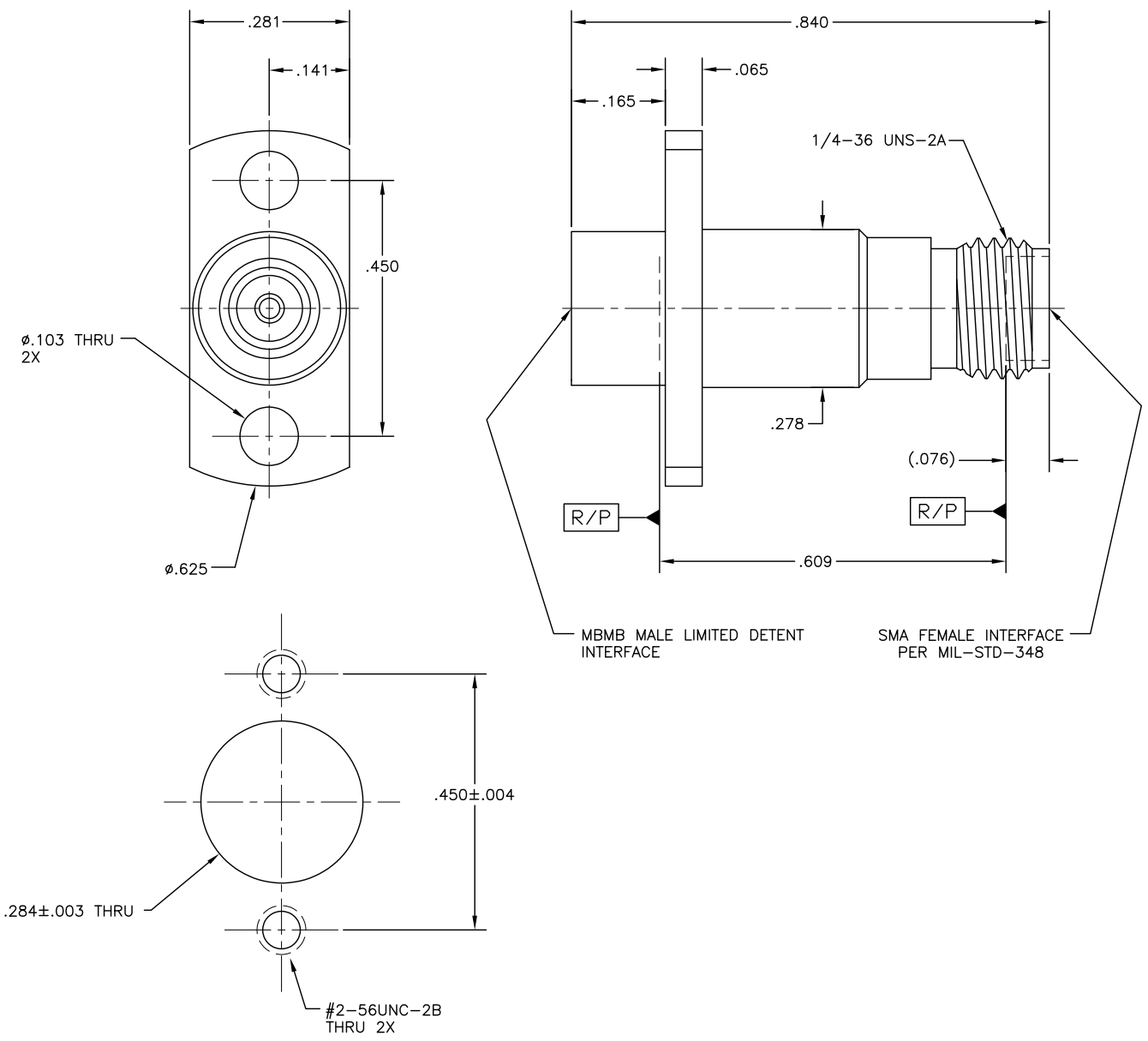



| COMPONENT | MATERIAL AND FINISH | |
|-----------|--|---|
| BODY | 303 CRES, ASTM A582 | PASSIVATE, AMS-QQ-P-35 |
| INSULATOR | PTFE, ASTM D1710, TYPE I, GRADE 1, CLASS A | |
| CONTACT | BeCu, ASTM B196, UNS C17300 | GOLD PLATE, MIL-G-45204, TYPE I, GRADE C, CLASS 1 |

PART NO. MADP-3716

OUTLINE DRAWING



RECOMMENDED MOUNTING

| | | |
|---|--|---------------------------|
|  MICRO-MODE PRODUCTS, INC. <i>The Reliable Connection to the Future</i> | El Cajon, CA 92020 ph 619.449.3844 www.micromode.com | CAGE CODE 15907 |
| | ASSY PROCEDURES: N/A INSERTION/EXTRACTION TOOL: N/A | |
| MBMB(M) LD TO SMA(F) 2 HOLE FLANGE MOUNT ADAPTER | | PART NO. MADP-3716 |
| SHEET 1 OF 1 OL3716 3-28-12 EB | | REVISION — |