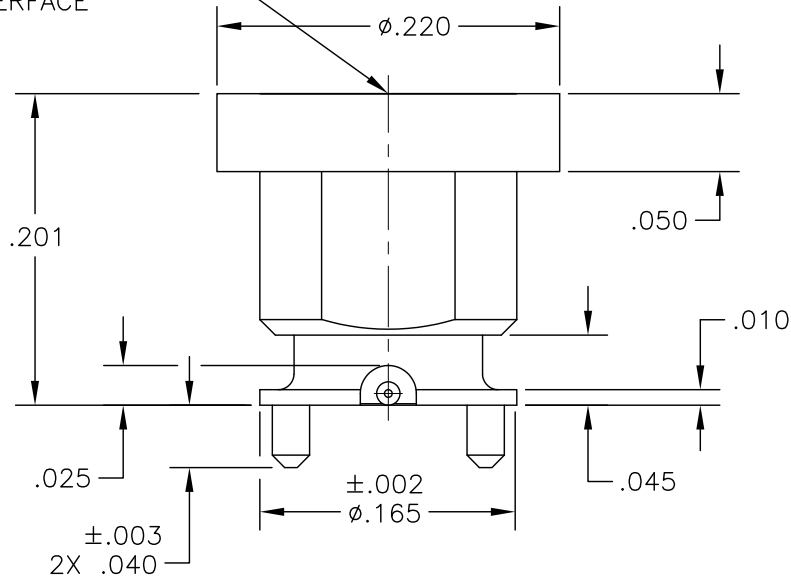
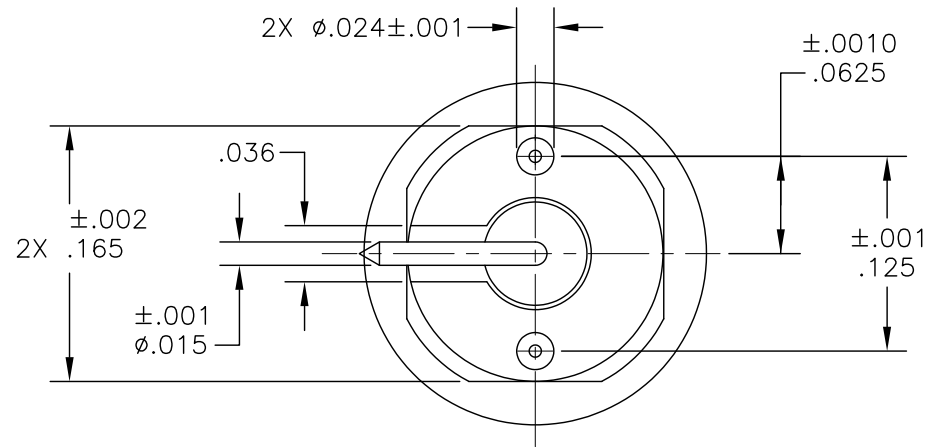
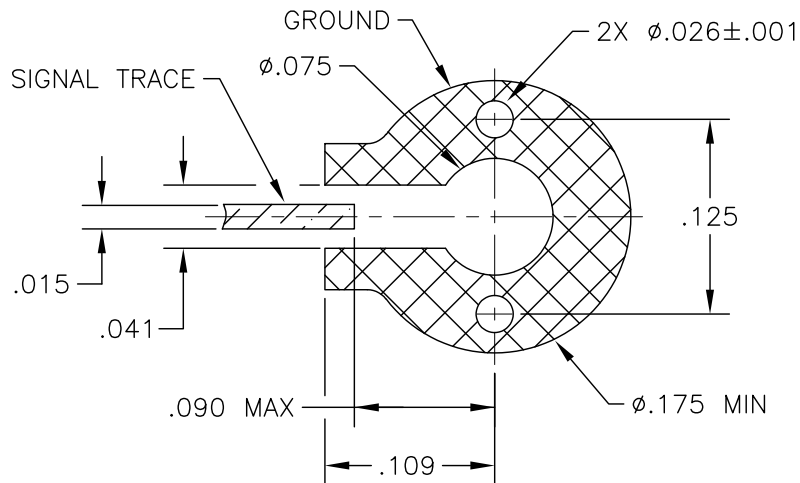
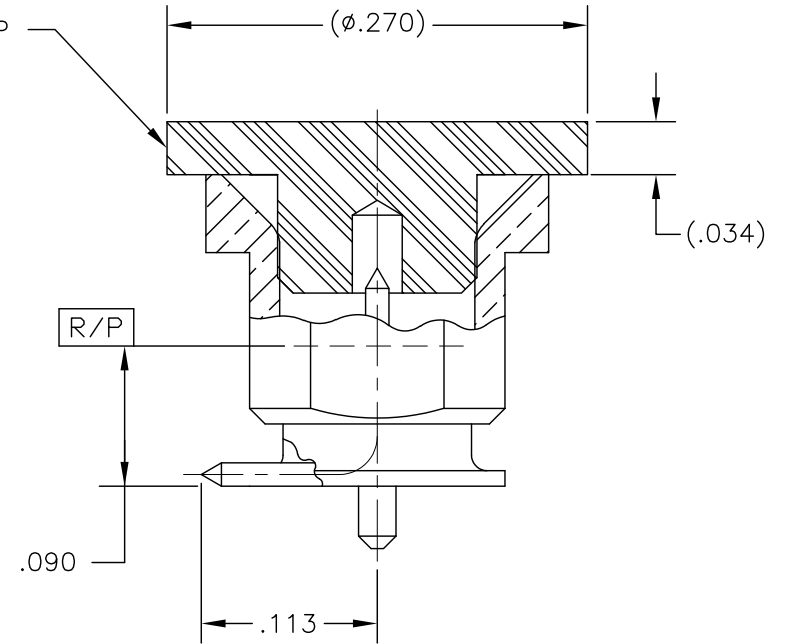


OUTLINE DRAWING | PART NO. MMSP-12398

SMP MALE  
SMOOTH BORE  
CATCHER'S MITT  
INTERFACE



PICK AND PLACE CAP



COMPONENT	MATERIAL & FINISH
BODY & CONTACT	BeCu, ASTM B196, UNS C17300 GOLD PLATE, MIL-G-45204, TYPE 1, GRADE C, CLASS 1 NICKEL PLATE, MIL-C-26074
INSULATOR	PEEK 1000 PER ASTM D6262
SOLDER	Sn60 OR Sn63
PICK AND PLACE CAP	PTFE, ASTM D1710,



MICRO-MODE PRODUCTS, INC.  
*The Reliable Connection to the Future*

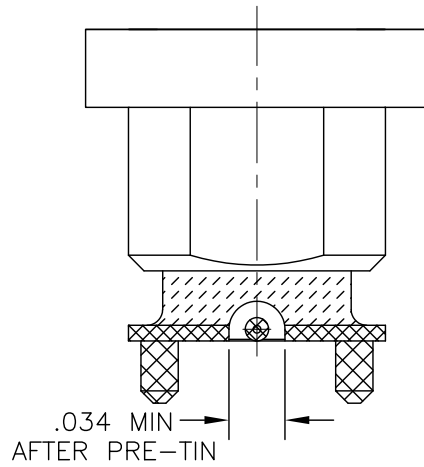
El Cajon, CA 92020  
ph 619.449.3844  
www.micromode.com

CAGE CODE  
15907

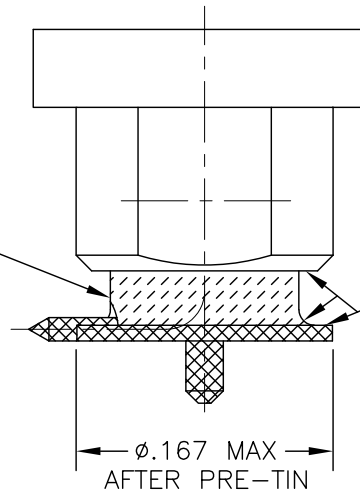
ASSY PROCEDURES: N/A	SMP MALE, SBCM SURFACE MOUNT, R/A LAUNCH
INSERTION/EXTRACTION TOOL: N/A	
SHEET 1 OF 2	OL12398 1-31-13 MD MP


PART NO. MMSP-12398	REVISION C
------------------------	---------------

PART NO. MMSP-12398 | OUTLINE DRAWING

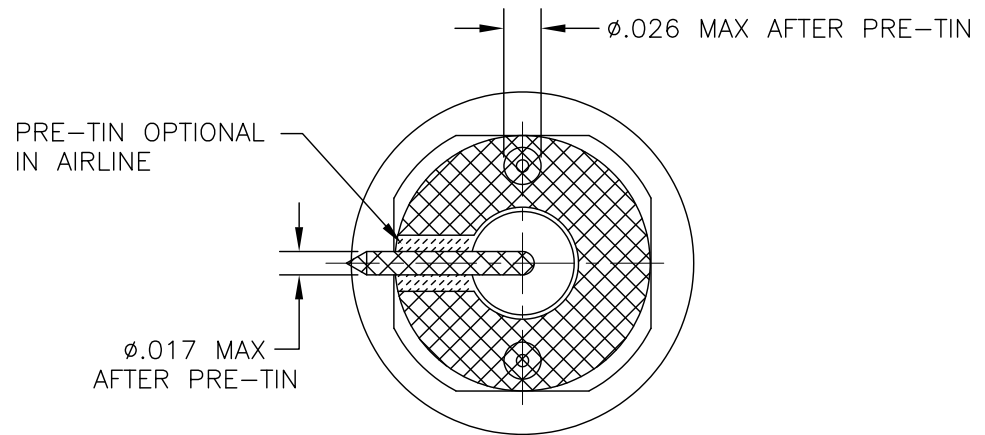


PRE-TIN OPTIONAL  
60% OF CIRCUMFERENCE  
MAX



 PRE-TIN REQUIRED  
(Sn63 SOLDER)

 PRE-TIN OPTIONAL



MICRO-MODE PRODUCTS, INC.  
*The Reliable Connection to the Future*

El Cajon, CA 92020  
ph 619.449.3844  
www.micromode.com

CAGE CODE  
15907

ASSY PROCEDURES: N/A

INSERTION/EXTRACTION TOOL: N/A

SMP MALE, SBCM  
SURFACE MOUNT, R/A LAUNCH

PART NO.

MMSP-12398

REVISION

C

SHEET 2 OF 2 | OL12398 1-31-13 MD MP

PART NO. MMSP-12398 | OUTLINE DRAWING