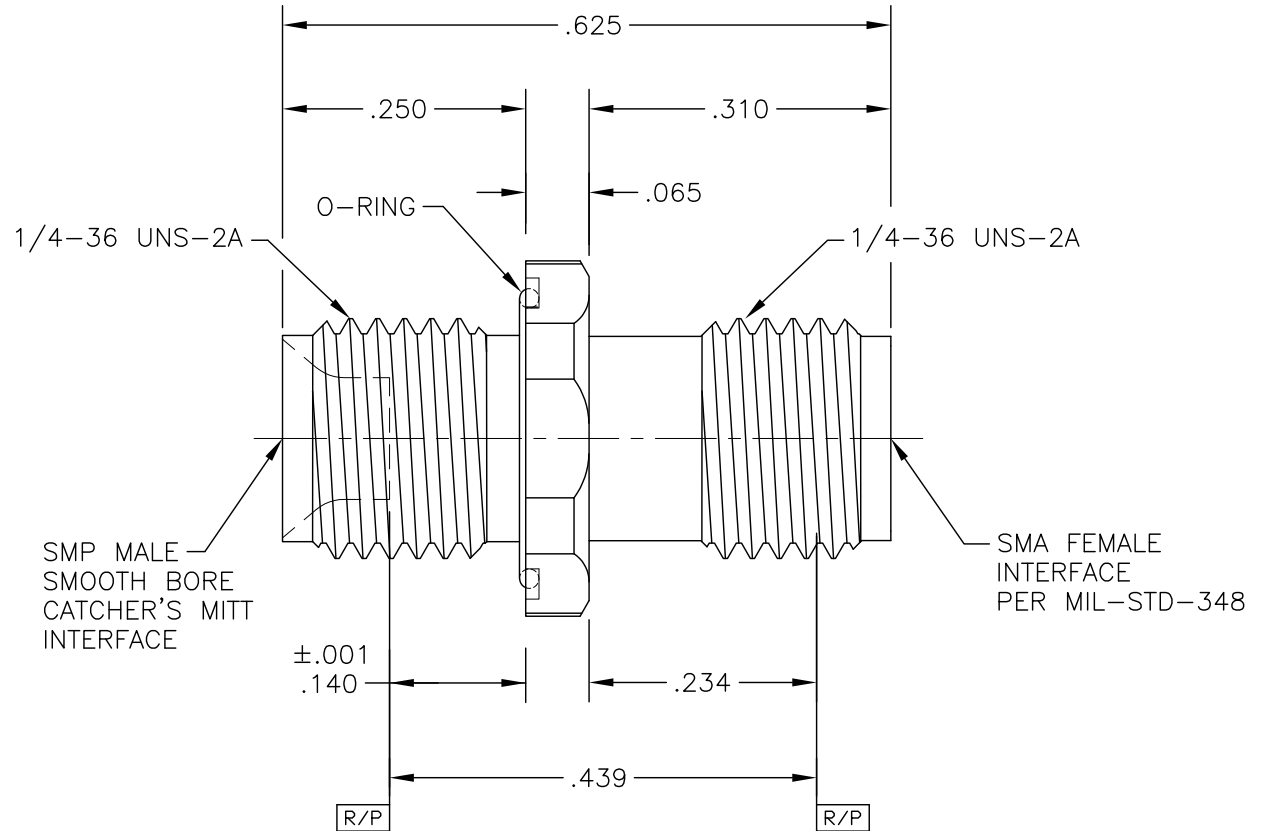
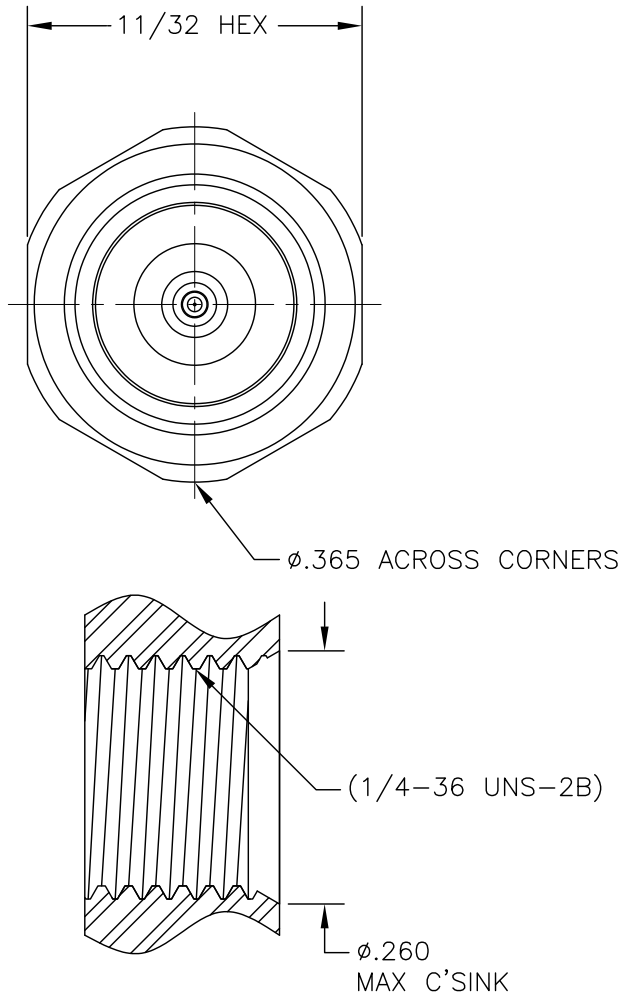


OUTLINE DRAWING

PART NO. MADP-12359



PART NO. MADP-12359

OUTLINE DRAWING

MOUNTING HOLE

COMPONENT	MATERIAL & FINISH	MICRO-MODE PRODUCTS, INC. <i>The Reliable Connection to the Future</i>		El Cajon, CA 92020 ph 619.449.3844 www.micromode.com	CAGE CODE 15907
CONTACT	BeCu, ASTM B196, UNS C17300	GOLD PLATE, MIL-DTL-45204, TYPE 1, GRADE C, CLASS 1		ASSY PROCEDURES: N/A	
INSULATOR	PTFE, ASTM D1710, TYPE I, GRADE 1, CLASS A	PASSIVATE, AMS-QQ-P-35		SMP SBCM TO SMA F ADAPTER THREAD-IN, O-RING	
BODY, BUSHING	303 CRES, ASTM A582	PASSIVATE, AMS-QQ-P-35		PART NO. MADP-12359	
O-RING	SILICONE RUBBER	SHEET 1 OF 1 OL12359 1-9-13 FR MP		REVISION C	