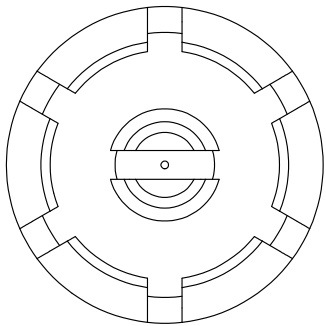


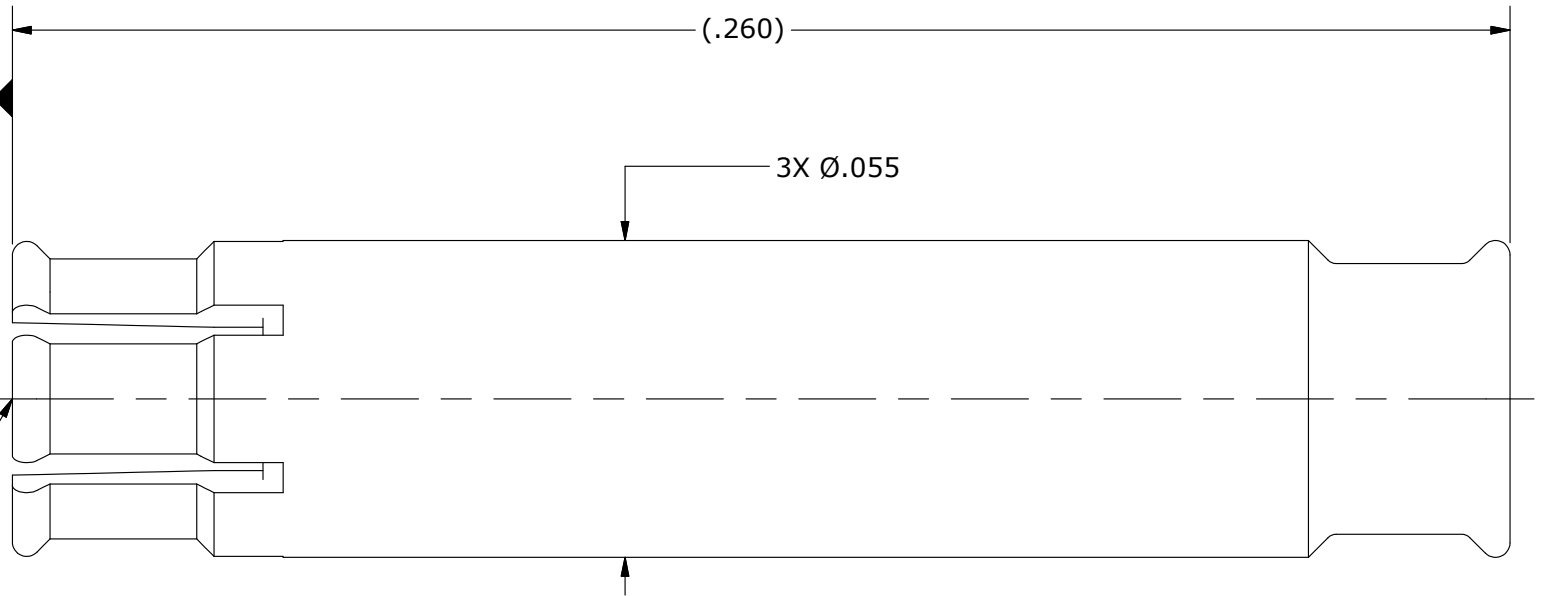
R/P

(.260)

3X Ø.055



MM4S FEMALE
INTERFACE



COMPONENT	MATERIAL	FINISH	MICRO-MODE PRODUCTS, INC. <i>The Reliable Connection to the Future</i>		El Cajon, CA 92020 ph 619.449.3844 www.micromode.com	CAGE CODE 15907
BODY, CONTACT	BeCu, ASTM B196, UNS C17300	GOLD PLATE, MIL-DTL-45204, TYPE 1, GRADE C, CLASS 1	ASSEMBLY PROCEDURES: N/A		MM4S FEMALE 50 OHM TERMINATION	
INSULATOR	PTFE PER ASTM D1710 TYPE 1, GRADE 1, CLASS A		TOOL: N/A			
RESISTOR CHIP	ALUMINA		SHEET 1 OF 1 8-30-19 MP MT		PART NO. MM4S-18098	REVISION A