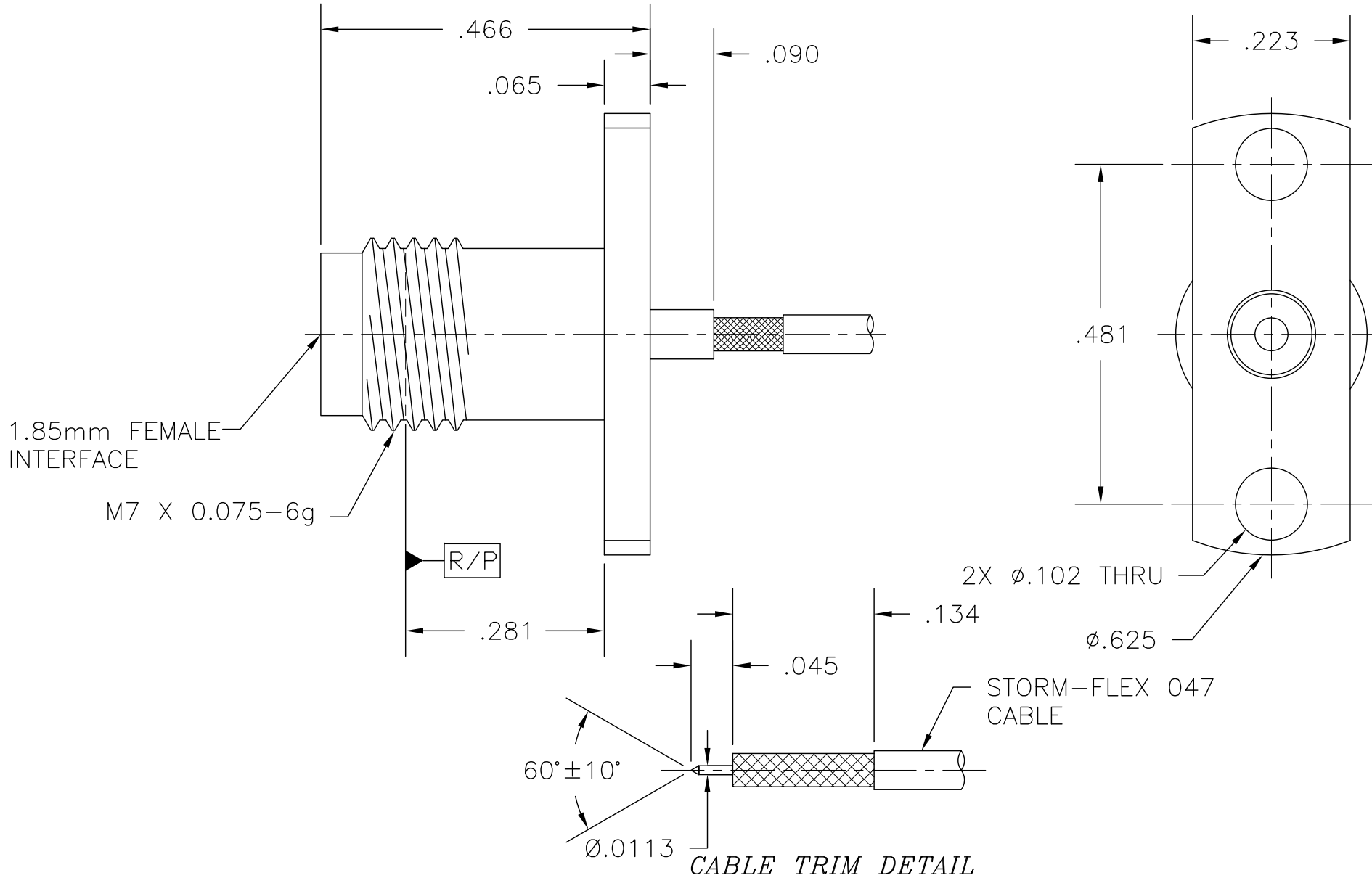


OUTLINE DRAWING



COMPONENT	MATERIAL & FINISH	MICRO-MODE PRODUCTS, INC. <i>The Reliable Connection to the Future</i>	El Cajon, CA 92020 ph 619.449.3844 www.micromode.com	CAGE CODE 15907	
BODY, CONTACT & SLEEVE	BeCu, ASTM B196, UNS C17300 GOLD PLATE, MIL-DTL-45204, TYPE 1, GRADE C, CLASS 1	ASSY PROCEDURES: MMAP-15950	1.85mm FEMALE TO STORM FLEX 047 CABLE		
INSULATOR	PTFE, ASTM D1710, TYPE I, GRADE 1, CLASS A	INSERTION/EXTRACTION TOOL: N/A			
		SHEET 1 OF 1	4-21-17 MP	PART NO. MM18-15949	REVISION A

OUTLINE DRAWING