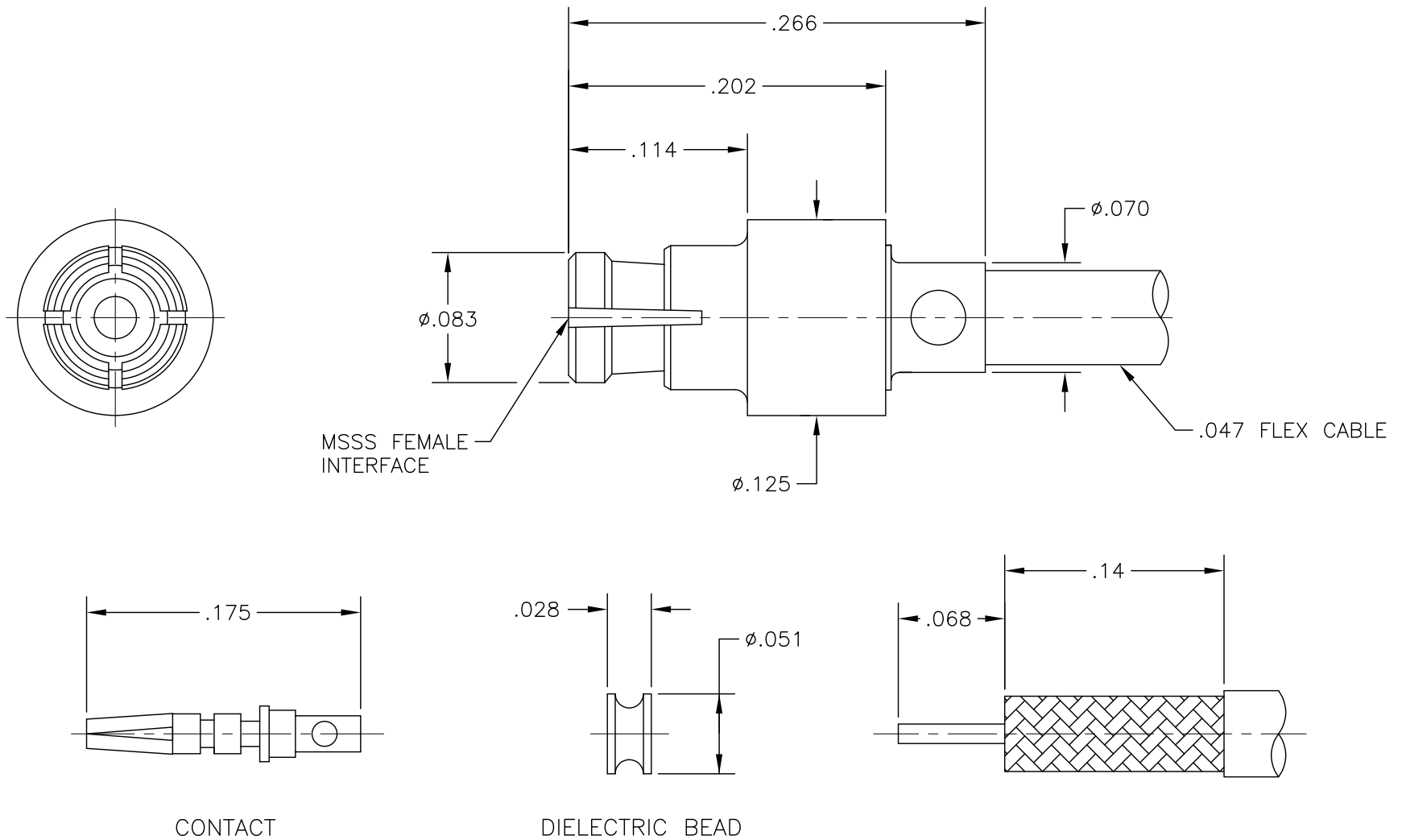



OUTLINE DRAWING



COMPONENT	MATERIAL & FINISH	 MICRO-MODE PRODUCTS, INC. <i>The Reliable Connection to the Future</i>	El Cajon, CA 92020 ph 619.449.3844 www.micromode.com	CAGE CODE 15907
BODY & CONTACT	BeCu, ASTM B196, UNS C17300 GOLD PLATE, MIL-DTL-45204, TYPE 1, GRADE C, CLASS 1	ASSY PROCEDURES: MMAP-14828	MSSS FEMALE, STRAIGHT TO .047 FLEX CABLE	
INSULATOR	PTFE, ASTM D1710, TYPE I, GRADE 1, CLASS A	EXTRACTION TOOL: MMTL-6555		
DIELECTRIC BEAD	DUPONT VESPEL SP-1	PART NO. MSSS-14826		REVISION —
		SHEET 1 OF 1	1-5-16 . MP	

OUTLINE DRAWING