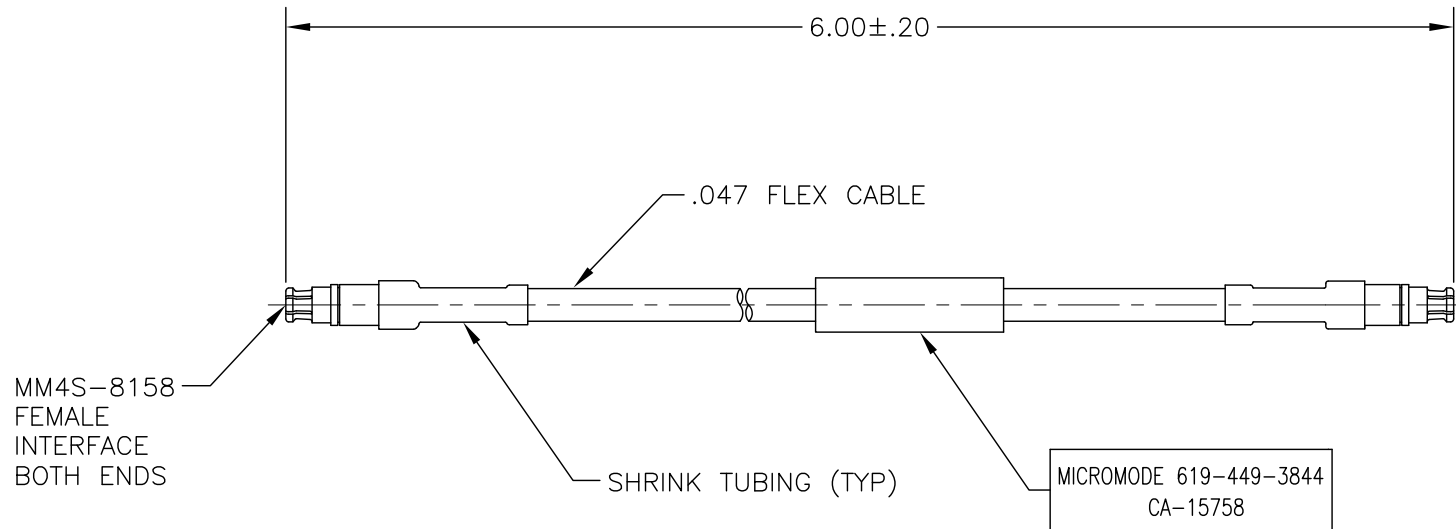



OUTLINE DRAWING



COMPONENT	MATERIAL & FINISH	 MICRO-MODE PRODUCTS, INC. <i>The Reliable Connection to the Future</i>	El Cajon, CA 92020 ph 619.449.3844 www.micromode.com	CAGE CODE 15907
MM4S BODY, CONTACT	BeCu, ASTM B196, UNS C17300	GOLD PLATE, MIL-DTL-45204, TYPE 1, GRADE C, CLASS 1	ASSY PROCEDURES: N/A	MM4S (F) TO MM4S (F) .047 FLEX CABLE
INSULATOR	PTFE, ASTM D1710, TYPE I, GRADE 1, CLASS A	EXTRACTION TOOL: MMTL-8827	PART NO.	
HEAT SHRINK TUBING	POLYOLEFIN PER MIL-DTL-23053/5		CA-15758	REVISION -
		SHEET 1 OF 1	2-3-17 SE .	

OUTLINE DRAWING