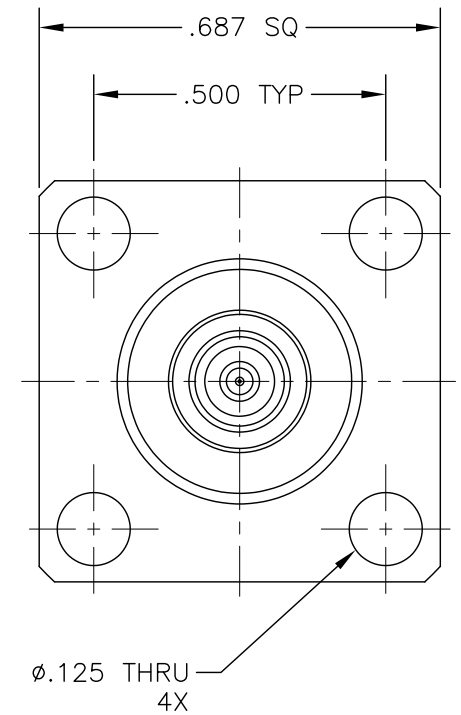
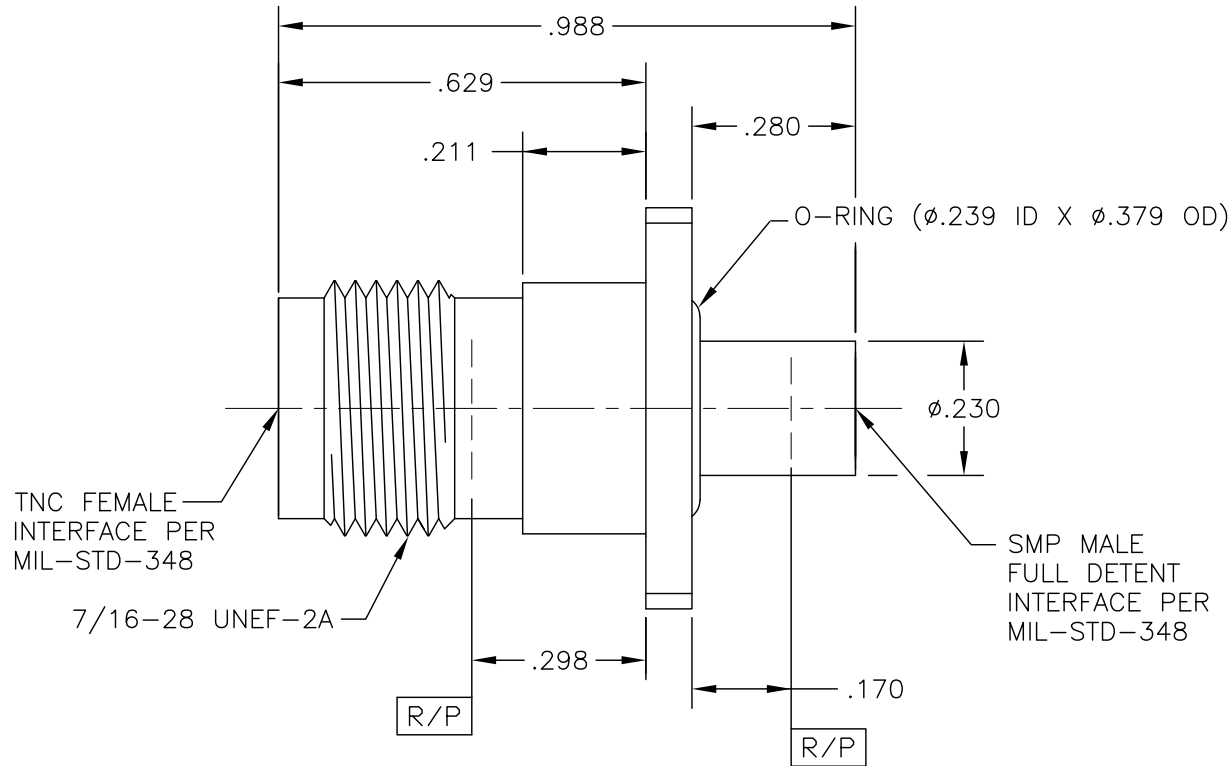


# OUTLINE DRAWING



COMPONENT	MATERIAL & FINISH
BODY	303 CRES, ASTM A582 PASSIVATE, AMS-QQ-P-35
INSULATOR	PTFE, ASTM D1710, TYPE I, GRADE 1, CLASS A
INSULATOR, SMP	ULTEM 1000, ASTM D5205
CONTACT	BeCu, ASTM B196, UNS C17300 GOLD PLATE, MIL-DTL-45204, TYPE 1, GRADE C, CLASS 1
O-RING	CHOMERICS 1287, CONDUCTIVE FLUOROSILICONE RUBBER
EPOXY	SIGMA PLASTRONICS VARY FLEX #1



**MICRO-MODE PRODUCTS, INC.**  
*The Reliable Connection to the Future*

El Cajon, CA 92020  
ph 619.449.3844  
www.micromode.com

CAGE CODE  
15907

ASSY PROCEDURES: N/A

INSERTION/EXTRACTION TOOL: N/A

SMP (FD) TO TNC JACK,  
4 HOLE FLANGE WITH O-RING

PART NO.

MADP-15574

REVISION

B

SHEET 1 OF 1

11-8-16 MP

OUTLINE DRAWING