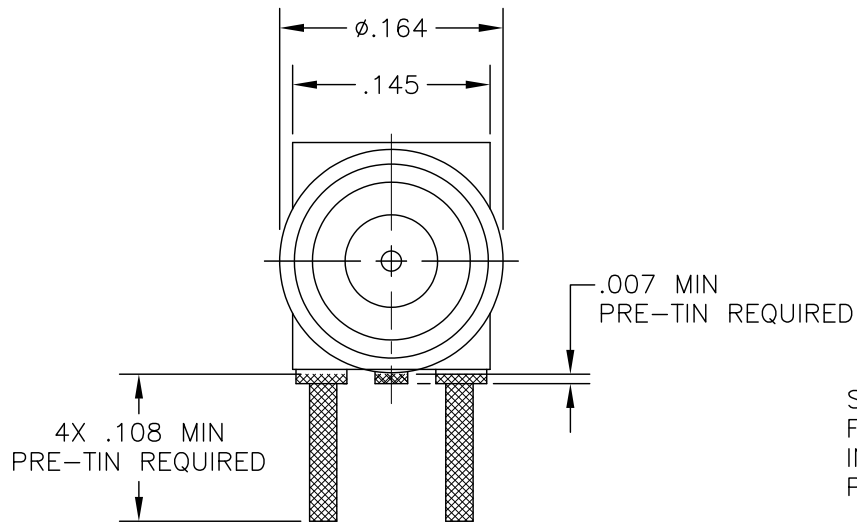
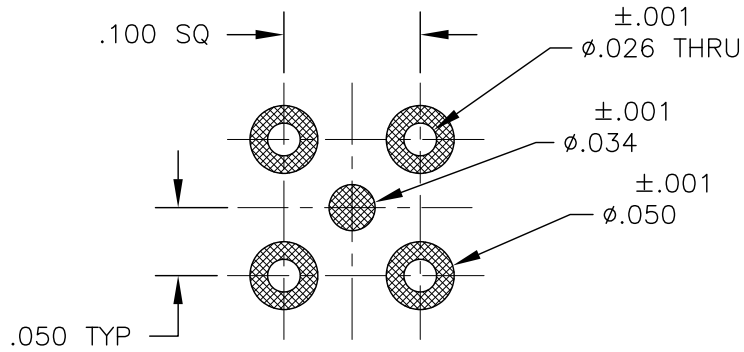
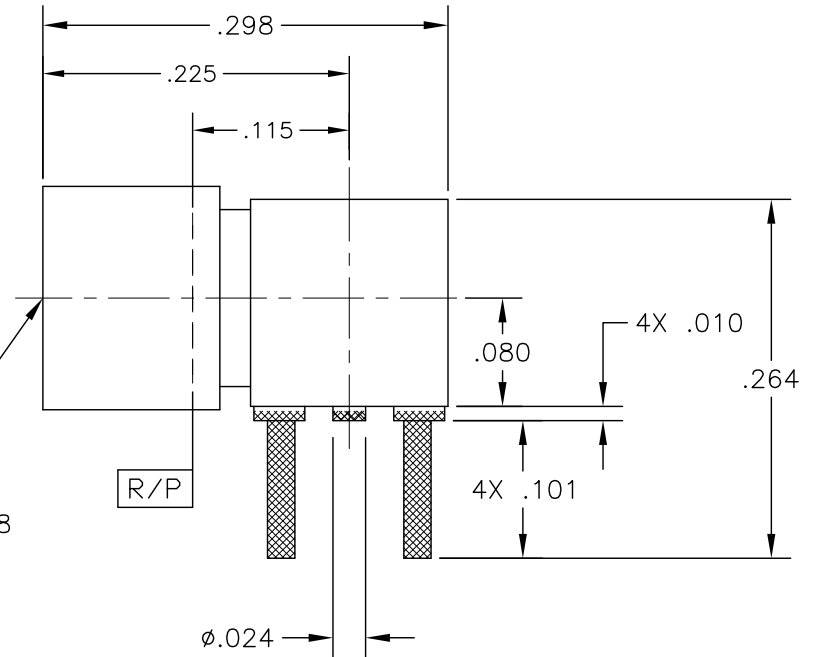


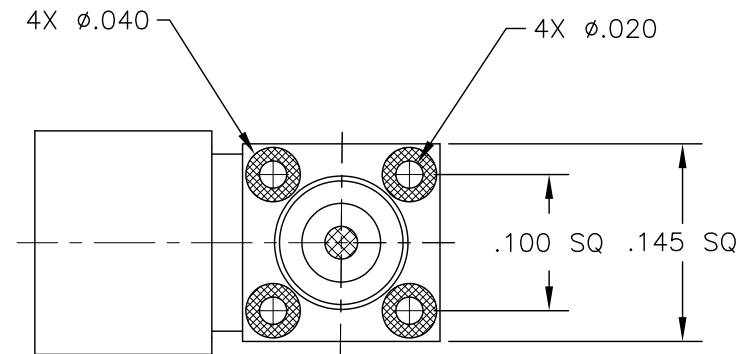
OUTLINE DRAWING



SMP MALE
 FULL DETENT
 INTERFACE
 PER MIL-STD-348



MOUNTING HOLE PATTERN



COMPONENT	MATERIAL & FINISH	MICRO-MODE PRODUCTS, INC. <i>The Reliable Connection to the Future</i>		El Cajon, CA 92020 ph 619.449.3844 www.micromode.com	CAGE CODE 15907
BODY & CONTACT	BeCu, ASTM B196, UNS C17300	GOLD PLATE, MIL-C-45204, TYPE 1, GRADE C, CLASS 1		ASSY PROCEDURES: N/A	
INSULATOR	PTFE, ASTM D1710, TYPE I, GRADE 1, CLASS A	INSERTION/EXTRACTION TOOL: N/A		SMP MALE, FD, RIGHT ANGLE TO PCB MOUNT	
REAR BUSHING	303 CRES, ASTM A582	PASSIVATE, AMS-QQ-P-35		PART NO.	REVISION
SOLDER	Sn 63	SHEET 1 OF 1	9-20-16 MP	MMSP-15507	-

OUTLINE DRAWING