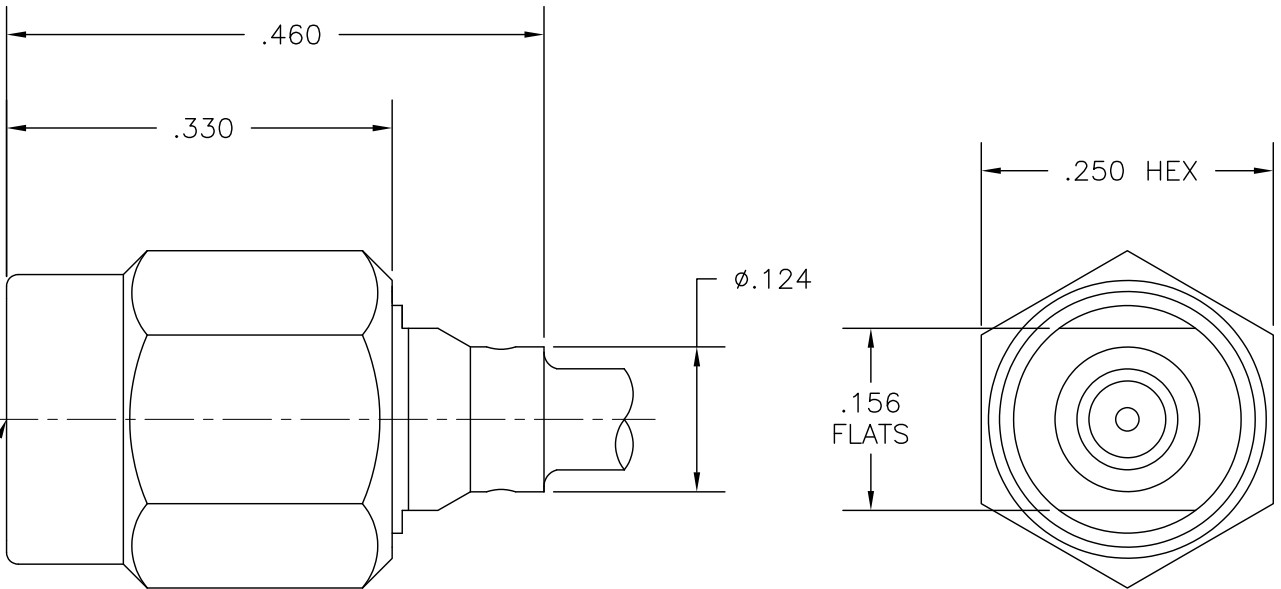


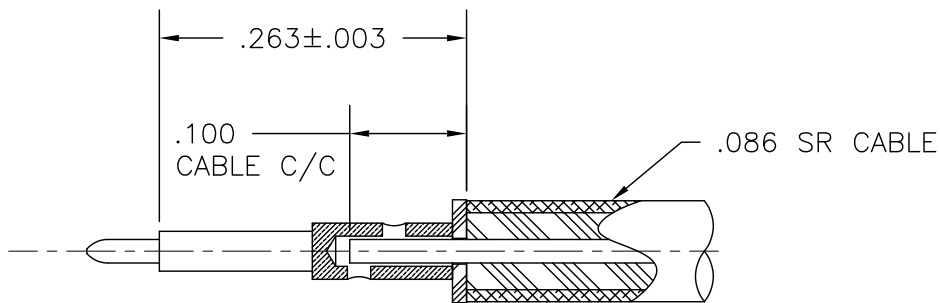
COMPONENT	MATERIAL AND FINISH	
BODY & CONTACT	BeCu, ASTM B196, UNS C17300	GOLD PLATE, MIL-G-45204, TYPE 1, GRADE C, CLASS 1
INSULATOR	PTFE, ASTM D1710, TYPE I, GRADE 1, CLASS A	
NUT	303 CRES, ASTM A582	PASSIVATE, AMS-QQ-P-35
LOCK RING	BeCu, ASTM B196, UNS C17300	

PART NO. MSSM-7616

OUTLINE DRAWING



SSMA MALE INTERFACE  
PER MIL-STD-348



CABLE TRIM



MICRO-MODE PRODUCTS, INC.  
*The Reliable Connection to the Future*

El Cajon, CA 92020  
ph 619.449.3844  
www.micromode.com

CAGE CODE  
15907

ASSY PROCEDURES: MMAP-7617

INSERTION/EXTRACTION TOOL: N/A

MSSM PLUG, STRAIGHT  
TO .086 SR CABLE

PART NO.

MSSM-7616

REVISION

B

SHEET 1 OF 1 OL7616 9-21-04 MP MD