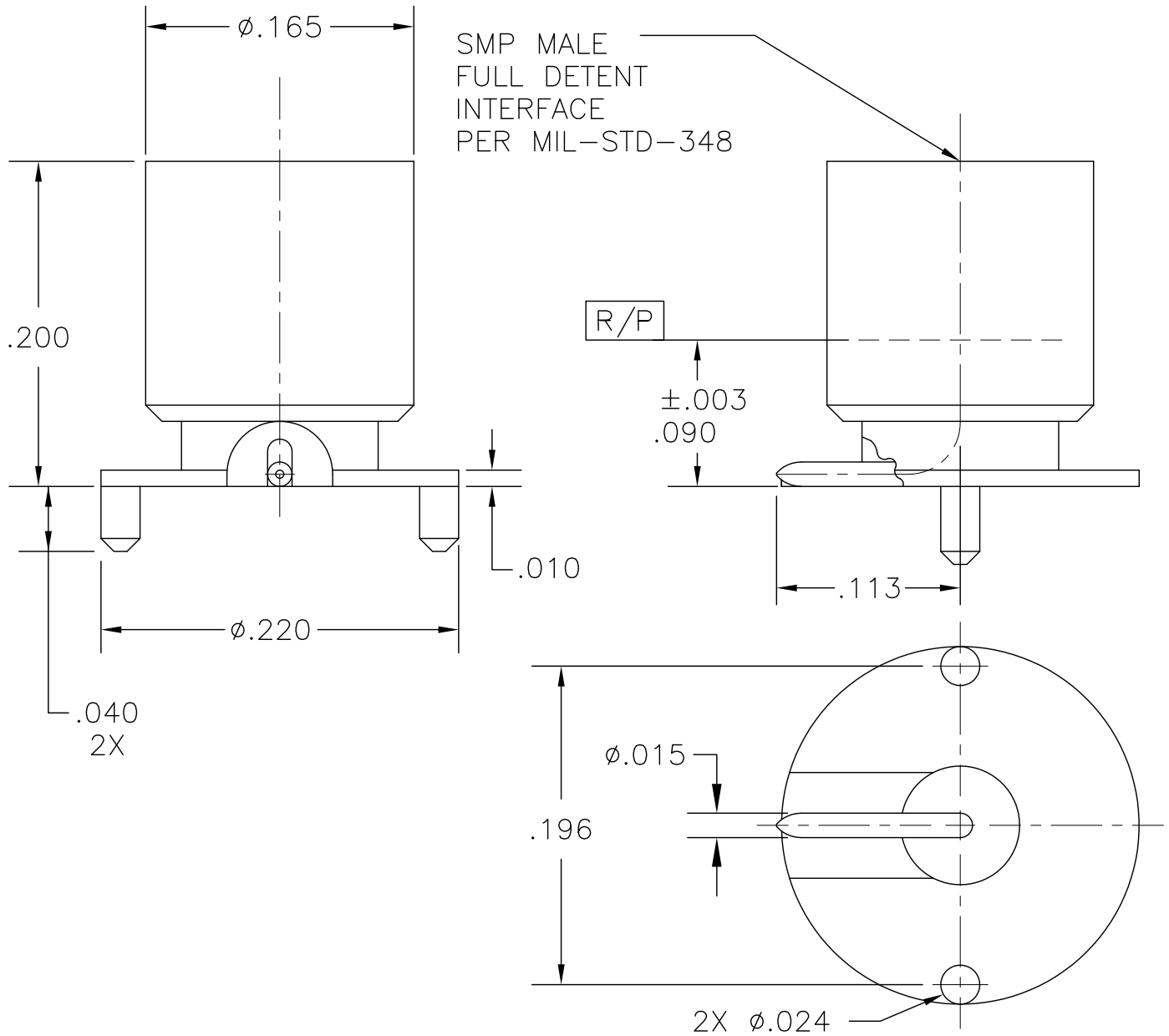


COMPONENT	MATERIAL AND FINISH	
BODY, PIN	BeCu, ASTM B196, UNS C17300	GOLD PLATE, MIL-G-45204, TYPE 1, GRADE C, CLASS 1
INSULATOR	TORLON (POLYAMIDE-IMIDE), ASTM D5204	

PART NO. MMSP-5917

OUTLINE DRAWING



MICRO-MODE PRODUCTS, INC.  
*The Reliable Connection to the Future*

El Cajon, CA 92020  
ph 619.449.3844  
www.micromode.com

CAGE CODE  
15907

MMSP, FULL DETENT, STRAIGHT  
TO RIGHT ANGLE PIN

PART NO.

MMSP-5917

REVISION

C

SHEET 1 OF 1 | OL5917 3-17-03 MP .