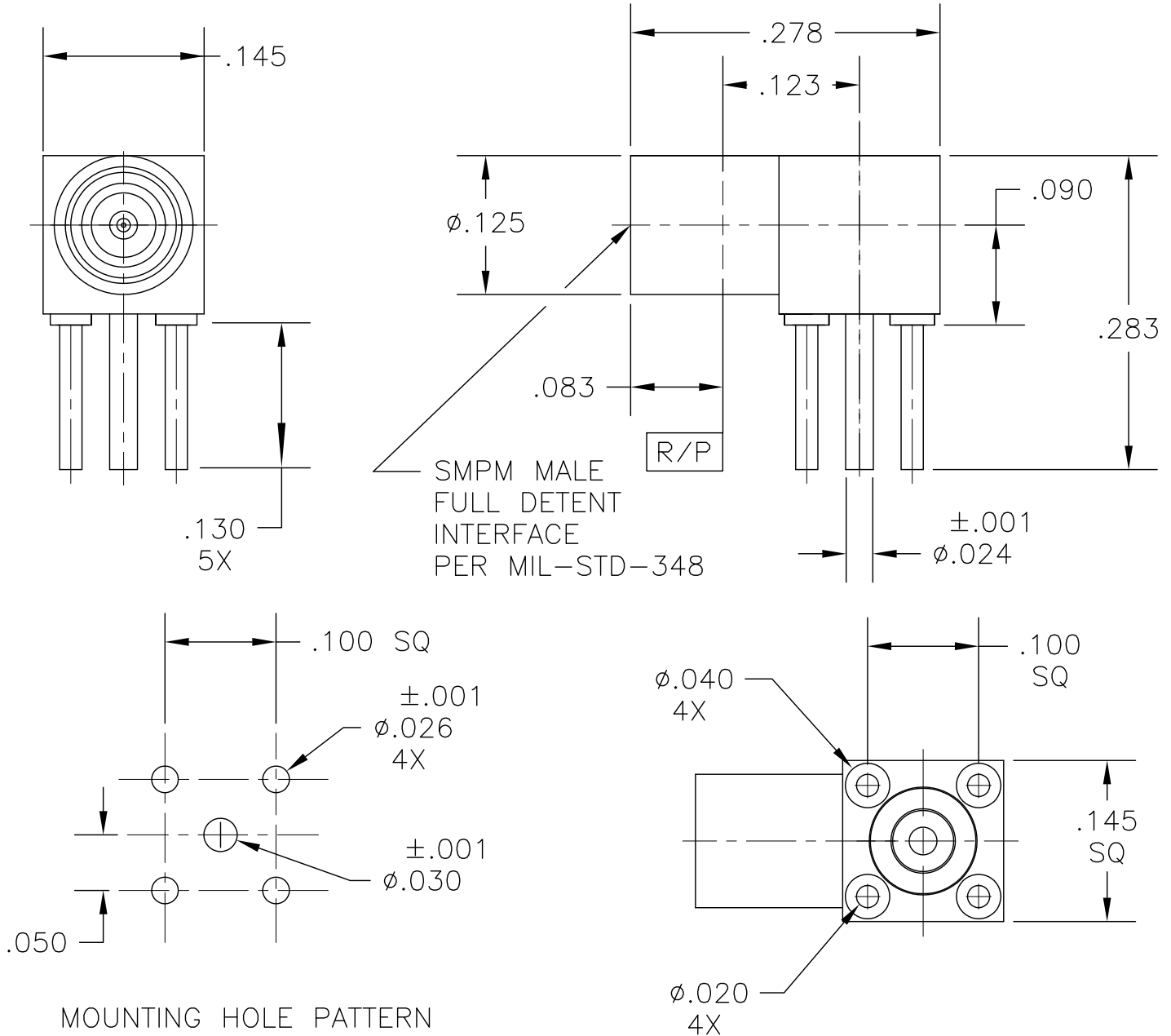


COMPONENT	MATERIAL AND FINISH	
BODY & CONTACT	BeCu, ASTM B196, UNS C17300	GOLD PLATE, MIL-G-45204, TYPE 1, GRADE C, CLASS 1
INSULATOR	PTFE, ASTM D1710, TYPE I, GRADE 1, CLASS A	
BUSHING	303 CRES, ASTM A582	



MICRO-MODE PRODUCTS, INC.
The Reliable Connection to the Future

El Cajon, CA 92020
ph 619.449.3844
www.micromode.com

CAGE CODE
15907

ASSY PROCEDURES: N/A

INSERTION/EXTRACTION TOOL: N/A

SMPM, FULL DETENT RIGHT ANGLE
TO PCB MOUNT

PART NO.

MSSP-14380

REVISION

—

SHEET 1 OF 1

6-4-15 MP