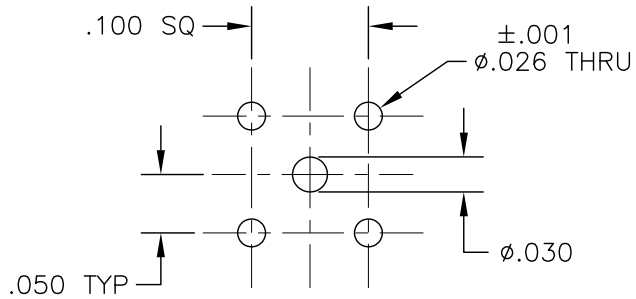
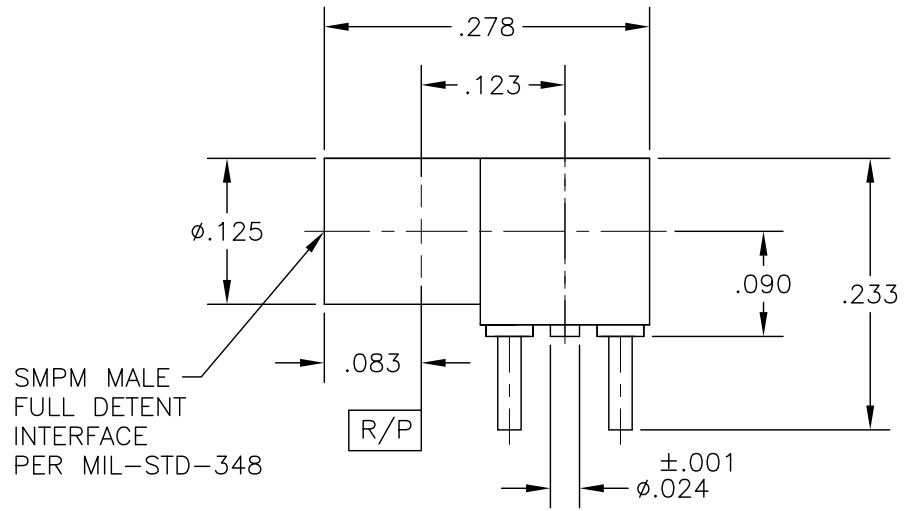
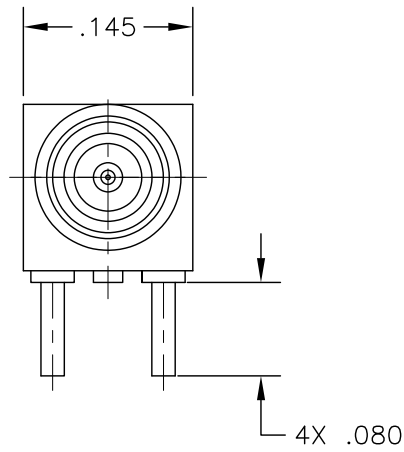
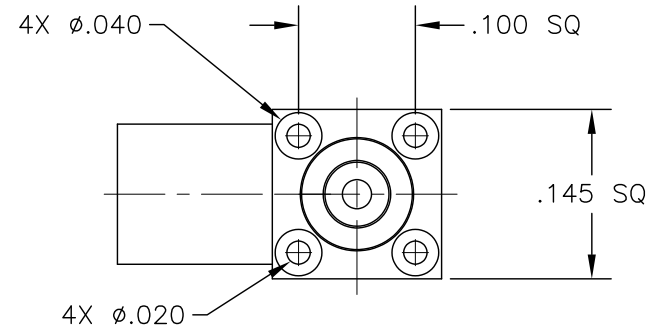


OUTLINE DRAWING



MOUNTING HOLE PATTERN



OPERATING FREQUENCY	DC TO 40 GHz
VSWR	1.35:1 MAX - DC TO 40 GHz
INSERTION LOSS	0.12 \sqrt{f} (GHz)
RF HIGH POT	200 V _{rms} MIN @ 5 MHz
INSULATION RESISTANCE	5,000 MEGOHMS MINIMUM
DWV	325 VRMS

RF LEAKAGE	-80dB TO 3 GHz -65dB 3-26.5 GHz
IMPEDANCE	50 OHMS NOMINAL
CENTER/OUTER CONTACT RESISTANCE	6.0/2.0 mOHMS
OPERATING TEMPERATURE	-65°C TO +165°C
NON-OPERATING TEMPERATURE	-65°C TO +165°C

FORCE TO ENGAGE	8.0 LBS MAXIMUM
FORCE TO DISENGAGE	3.0 LBS MINIMUM
DURABILITY	100 CYCLES MINIMUM
VIBRATION	MIL-STD-202, METHOD 204, CONDITION D
SHOCK	MIL-STD-202, METHOD 213, CONDITION I
THERMAL SHOCK	MIL-STD-202, METHOD 107, CONDITION B

COMPONENT	MATERIAL & FINISH	MICRO-MODE PRODUCTS, INC. <i>The Reliable Connection to the Future</i>		El Cajon, CA 92020 ph 619.449.3844 www.micromode.com	CAGE CODE 15907
BODY, CONTACT	BeCu, ASTM B196, UNS C17300 GOLD PLATE, MIL-G-45204, TYPE 1, GRADE C, CLASS 1	ASSY PROCEDURES: N/A		SMPM MALE, FULL DETENT RIGHT ANGLE, PCB MOUNT	
INSULATOR	PTFE, ASTM D1710, TYPE I, GRADE 1, CLASS A	INSERTION/EXTRACTION TOOL: N/A		PART NO. MSSP-14388	
BUSHINGS	303 CRES, ASTM A582 PASSIVATE	SHEET 1 OF 1		6-12-15 . MP	REVISION -

OUTLINE DRAWING