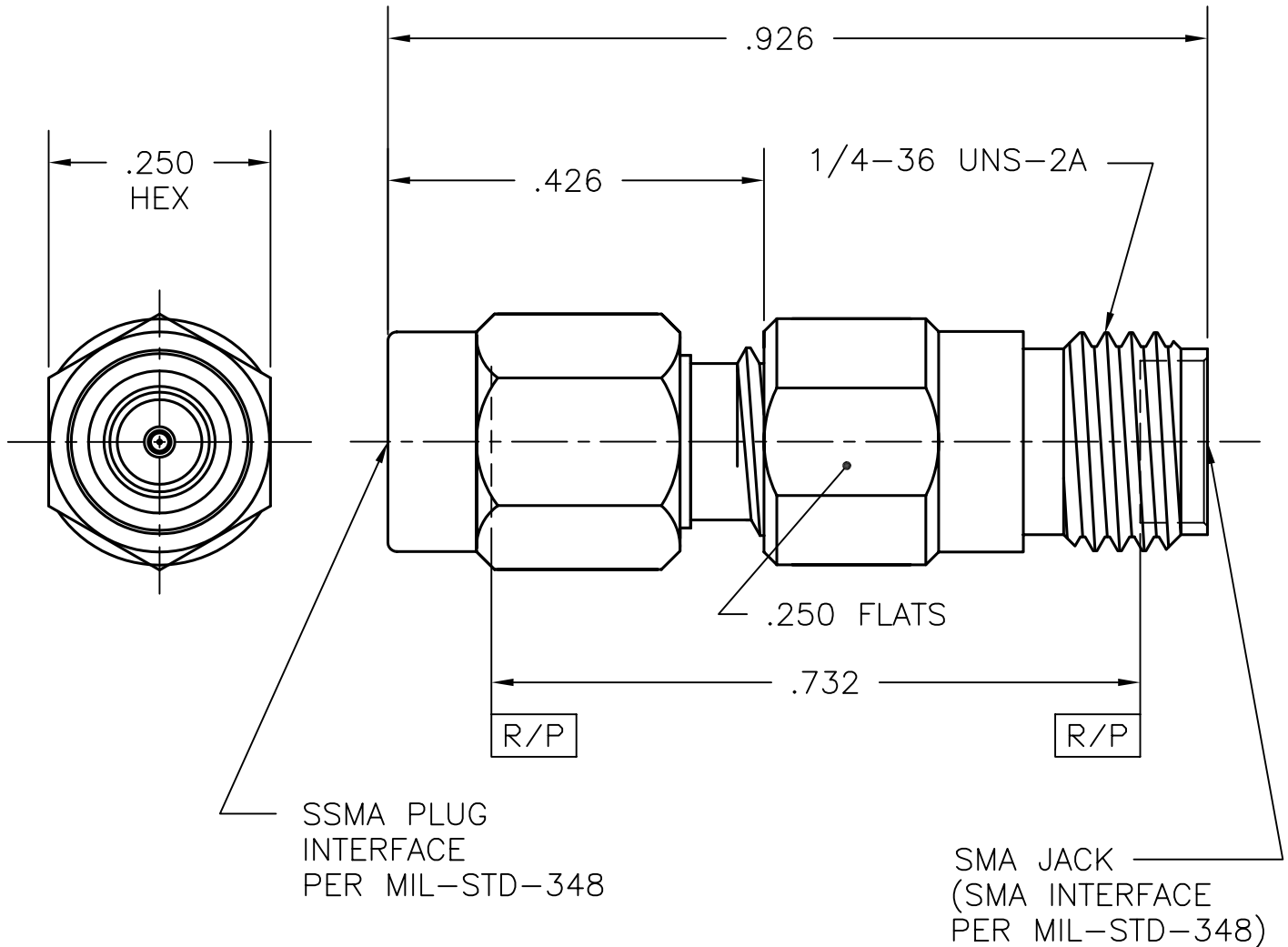


COMPONENT	MATERIAL AND FINISH	
CONTACT, LOCK RING	BeCu, ASTM B196, UNS C17300	GOLD PLATE, MIL-G-45204, TYPE 1, GRADE C, CLASS 1
INSULATORS	PTFE, ASTM D1710, TYPE I, GRADE 1, CLASS A	
BODIES, COUPLING NUT	303 CRES, ASTM A582	PASSIVATE, AMS-QQ-P-35

PART NO. MADP-5378

OUTLINE DRAWING



MICRO-MODE PRODUCTS, INC.
The Reliable Connection to the Future

El Cajon, CA 92020
ph 619.449.3844
www.micromode.com

CAGE CODE
15907

ASSY PROCEDURES: N/A		SSMA PLUG TO SMA JACK ADAPTER	
INSERTION/EXTRACTION TOOL: N/A			
SHEET 1 OF 1		PART NO.	REVISION
OL5378	9-18-06	JC MP	MADP-5378
			01