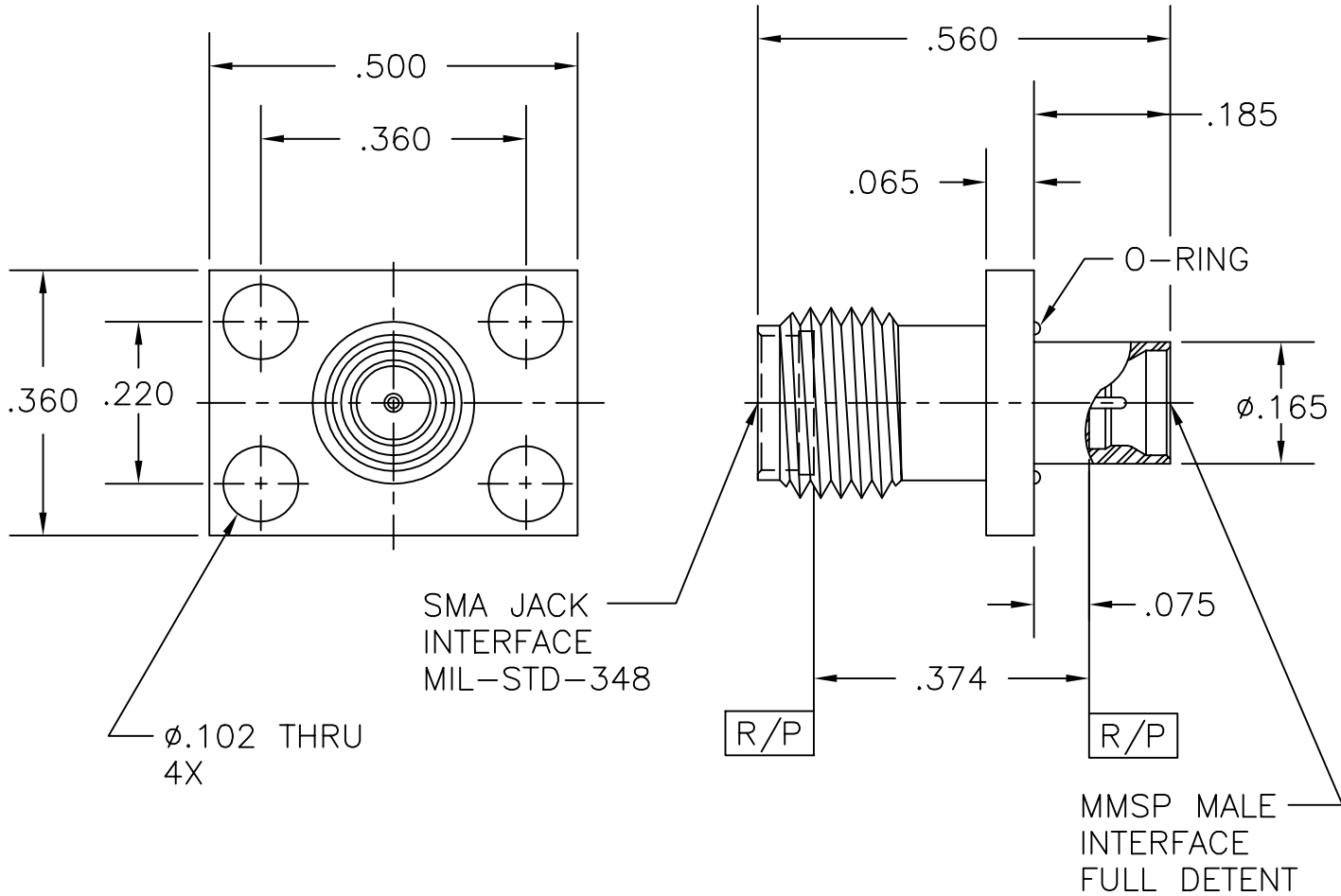


COMPONENT	MATERIAL AND FINISH	
BODY	303 CRES, ASTM A582	PASSIVATE, QQ-P-35
INSULATOR	PTFE, ASTM D1710, TYPE I, GRADE 1, CLASS A	
CONTACT	BeCu, ASTM B196, UNS C17300	GOLD PLATE, MIL-G-45204, TYPE 1, GRADE C, CLASS 1

PART NO. MADP-4917

OUTLINE DRAWING



MICRO-MODE PRODUCTS, INC.  
*The Reliable Connection to the Future*

El Cajon, CA 92020  
 ph 619.449.3844  
 www.micromode.com

CAGE CODE  
 15907

ASSY PROCEDURES: N/A		SMA (J) TO MMSP (M), FULL DETENT ADAPTER, 4 HOLE FLANGE MOUNT	
INSERTION/EXTRACTION TOOL: N/A			
SHEET 1 OF 1		PART NO.	REVISION
OL4917 1-8-02 MP RF		MADP-4917	—