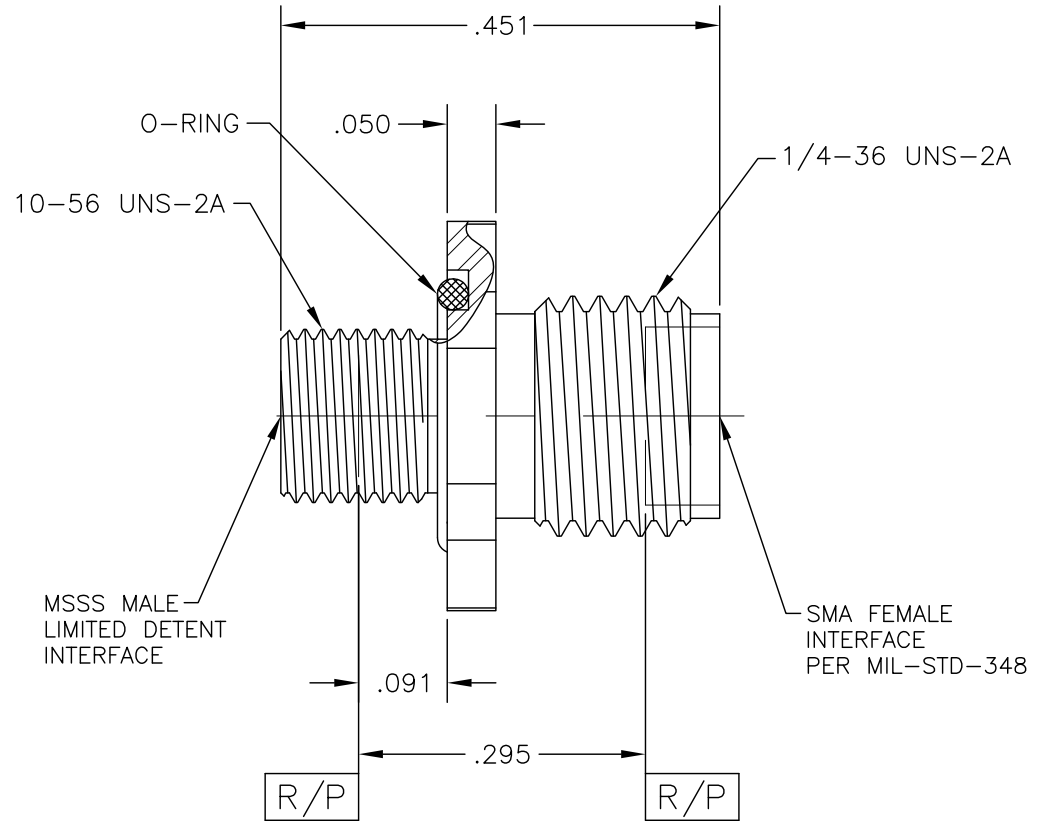
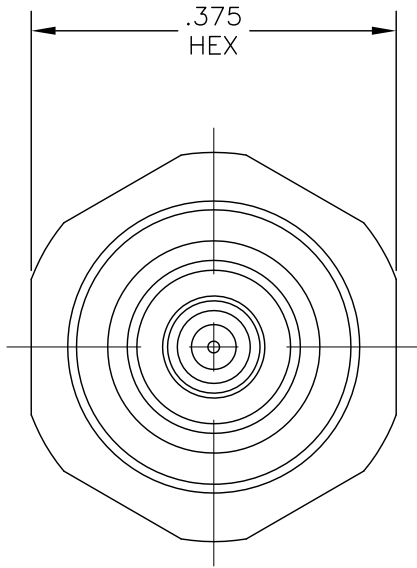


OUTLINE DRAWING



COMPONENT	MATERIAL & FINISH	MICRO-MODE PRODUCTS, INC. <i>The Reliable Connection to the Future</i>	El Cajon, CA 92020 ph 619.449.3844 www.micromode.com	CAGE CODE 15907
CONTACT	BeCu, ASTM B196, UNS C17300	GOLD PLATE, MIL-DTL-45204, TYPE 1, GRADE C, CLASS 1	ASSY PROCEDURES: N/A	MSSS MALE LD TO SMA FEMALE THREAD-IN ADAPTER, O-RING
INSULATOR	PTFE, ASTM D1710, TYPE I, GRADE 1, CLASS A		INSERTION/EXTRACTION TOOL: N/A	
BODY	303 CRES, ASTM A582	PASSIVATE, AMS-QQ-P-35	PART NO.	REVISION
O-RING	SILICONE RUBBER, ZZ-R-765		MADP-13227	02
		SHEET 1 OF 1	OL13227 4-2-14 . MP	

OUTLINE DRAWING