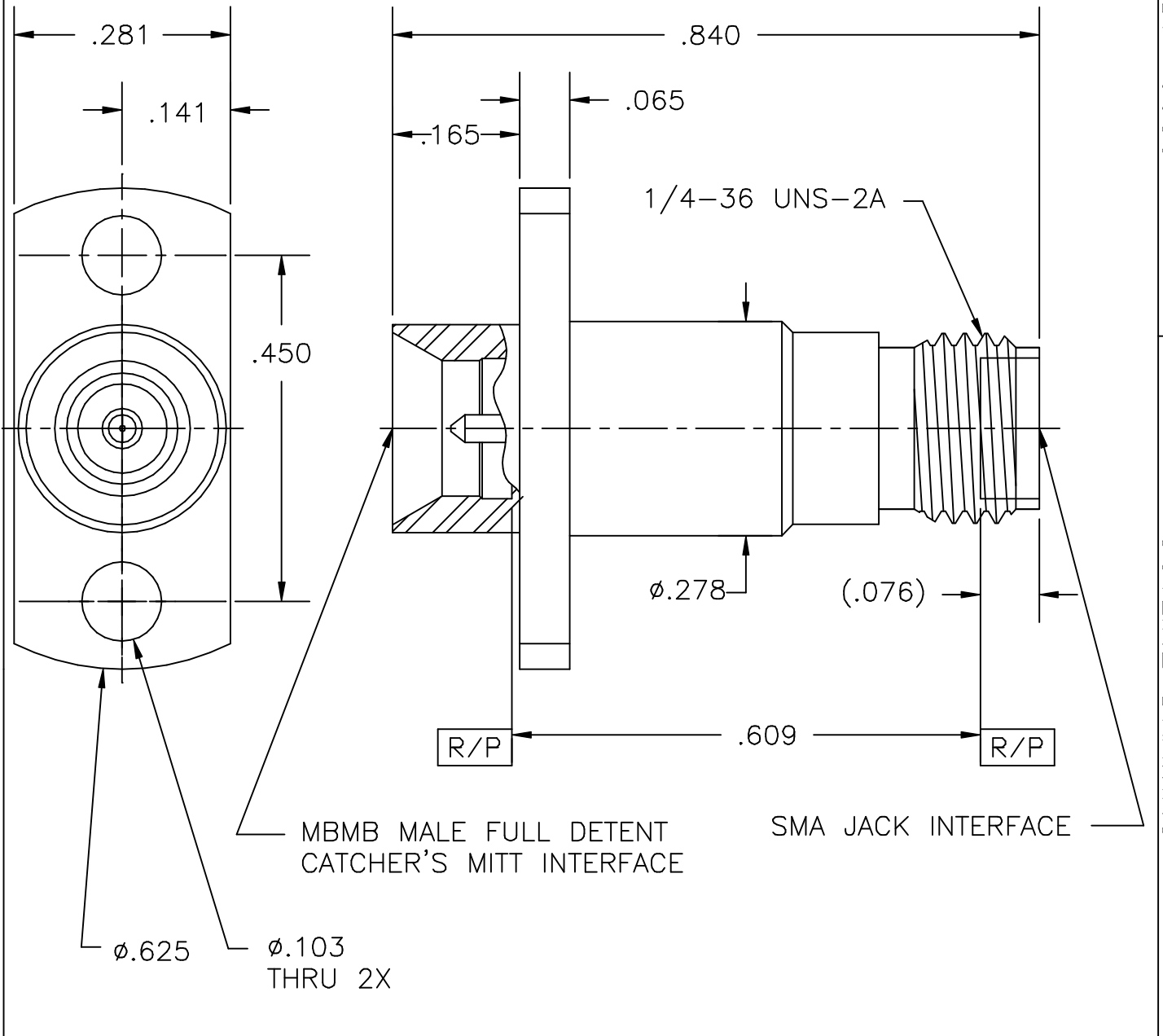



COMPONENT	MATERIAL AND FINISH	
BODY	303 CRES, ASTM A582	PASSIVATE, AMS-QQ-P-35
INSULATOR	PTFE, ASTM D1710, TYPE I, GRADE 1, CLASS A	
CONTACT	BeCu, ASTM B196, UNS C17300	GOLD PLATE, MIL-G-45204, TYPE I, GRADE C, CLASS 1

PART NO. MADP-6639



OUTLINE DRAWING

 MICRO-MODE PRODUCTS, INC. <i>The Reliable Connection to the Future</i>	El Cajon, CA 92020 Peoria, AZ 85345 (619) 449-3844 (623) 334-8944	CAGE CODE 15907
	ASSY PROCEDURES: N/A INSERTION/EXTRACTION TOOL: N/A	
MBMB(M) FDCM TO SMA(F) FLANGE MOUNT ADAPTER		PART NO. MADP-6639
SHEET 1 OF 1 OL6639 3-16-00 . PAC		REVISION 01