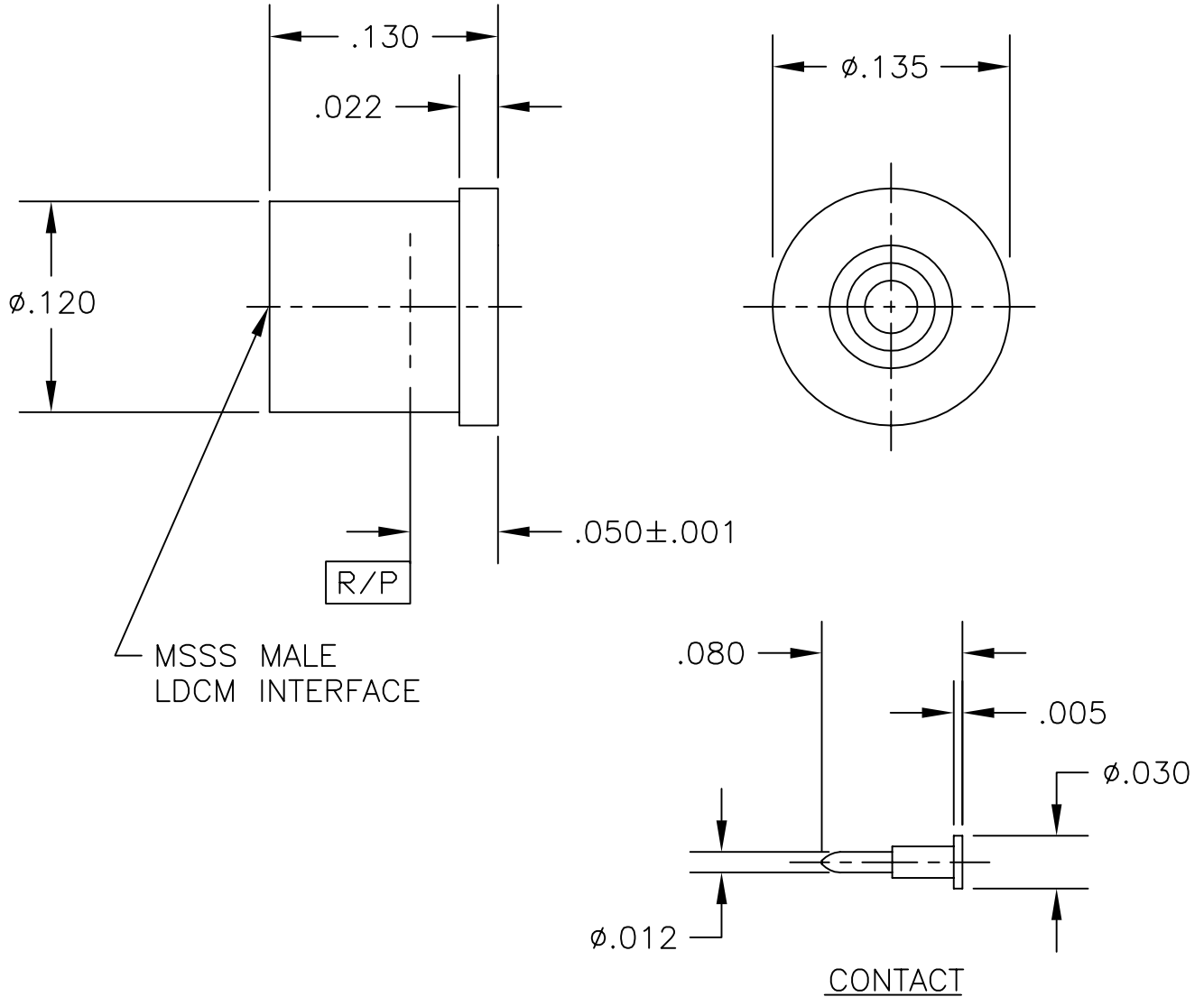


COMPONENT	MATERIAL AND FINISH	
BODY & CONTACT	BeCu, ASTM B196 UNS C17300	GOLD PLATE, MIL-G-45204, TYPE I, GRADE C, CLASS 1
INSULATOR	PTFE, ASTM D1710 TYPE 1, GRADE 1, CLASS A	

This drawing and any data contained therein is the property of Micro-Mode Products, Inc., and constitutes and contains proprietary and confidential information. Neither receipt nor possession of this drawing confers or transfers any right to duplicate, use, or disclose any information contained herein except as expressly authorized by Micro-Mode Products Inc.

PRELIMINARY



PART NO. MSSS-5540

OUTLINE DRAWING



**MICRO-MODE PRODUCTS, INC.**  
*The Reliable Connection to the Future*

El Cajon, CA 92020  
ph 619.449.3844  
www.micromode.com

CAGE CODE  
15907

ASSY PROCEDURES: N/A

INSERTION/EXTRACTION TOOL: N/A

MSSS, MALE, LDCM,  
SURFACE MOUNT, NAILHEAD PIN

PART NO.

MSSS-5540

REVISION

01

SHEET 1 OF 1 OL5540 9-21-02 MP