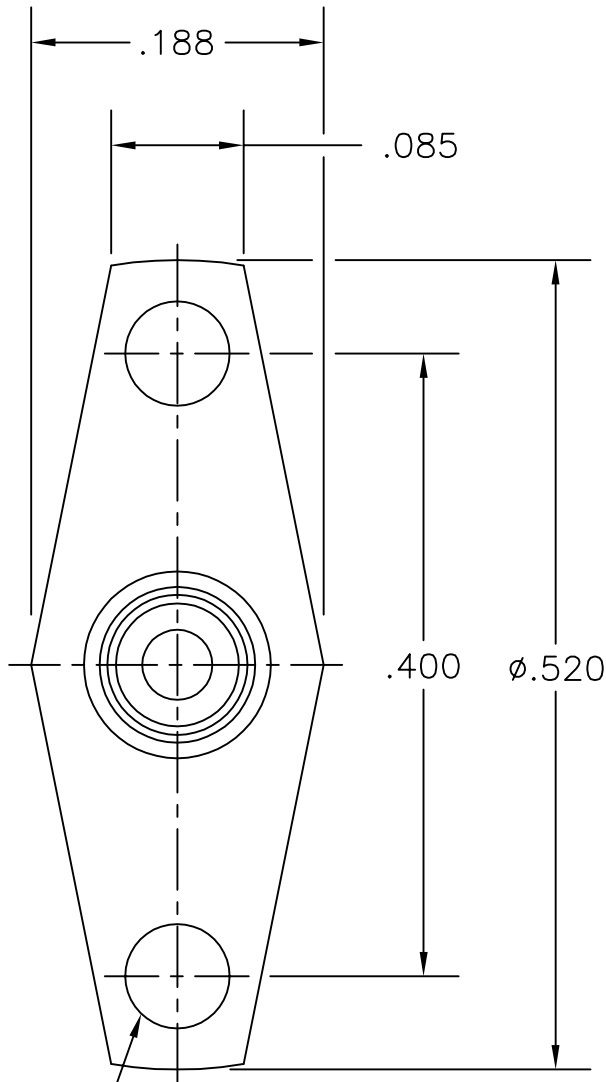
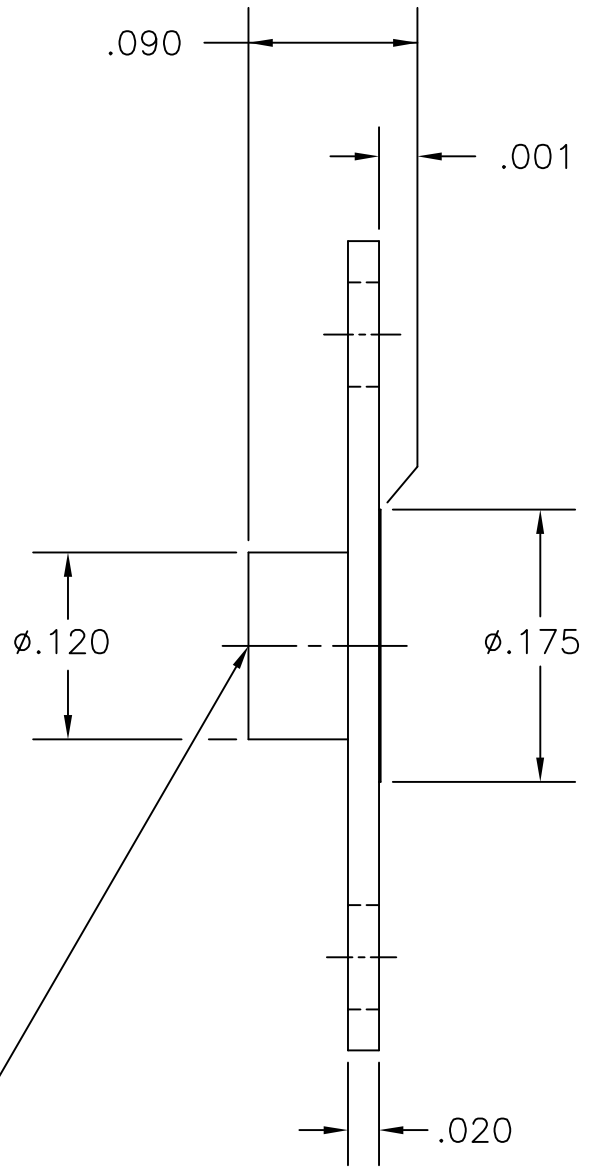


COMPONENT	MATERIAL AND FINISH	
SHROUD	303 CRES, ASTM A582	PASSIVATE, AMS-QQ-P-35



(2X $\phi.067$ THRU)



MSSS SMOOTH BORE
CATCHERS MITT
INTERFACE

PART NO. MSSS-5432

OUTLINE DRAWING



MICRO-MODE PRODUCTS, INC.
The Reliable Connection to the Future

El Cajon, CA 92020
ph 619.449.3844
www.micromode.com

CAGE CODE
15907

ASSY PROCEDURES:

INSERTION/EXTRACTION TOOL:

MSSS, SBCM, SHROUD
.400 HOLE SPACING

PART NO.

MSSS-5432

REVISION

01

SHEET 1 OF 1 OL5432 7-23-02 MP RF