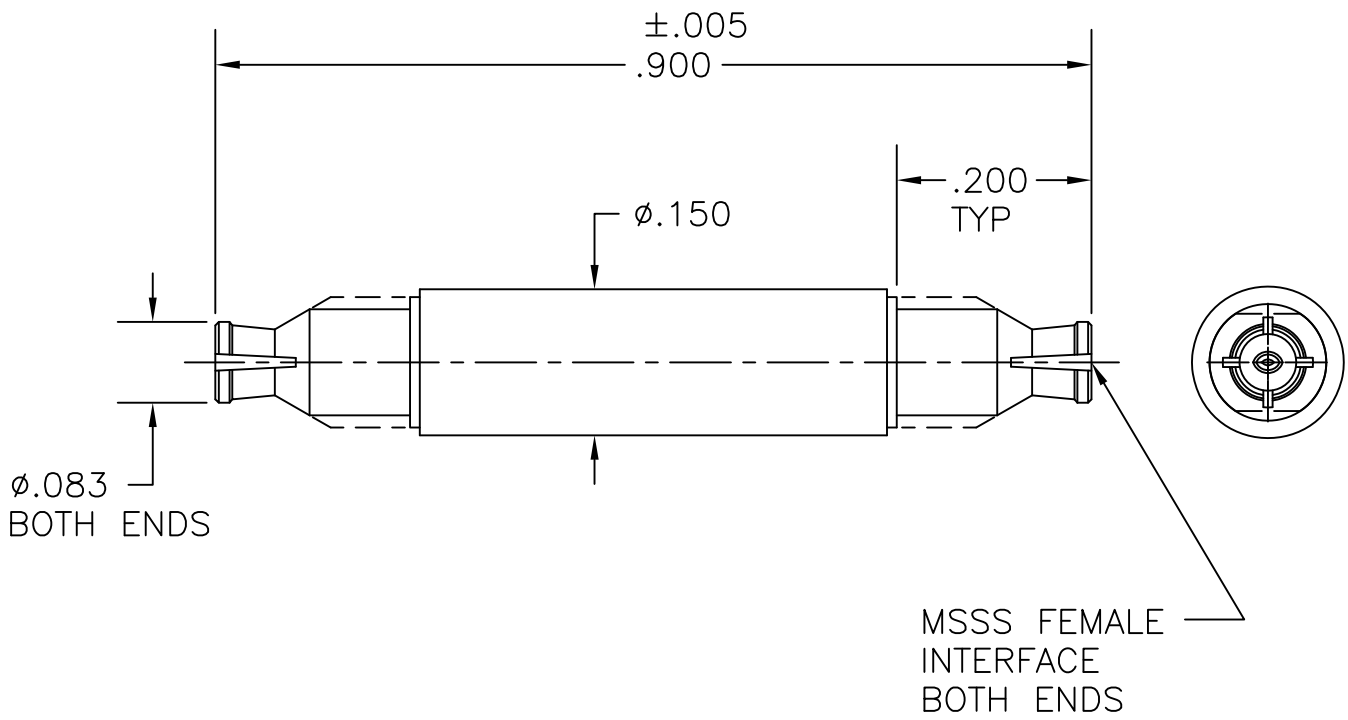


COMPONENT	MATERIAL AND FINISH	
BODY & CONTACT	BeCu, ASTM B196, UNS C17300	GOLD PLATE, MIL-G-45204, TYPE 1, GRADE C, CLASS 1
INSULATOR	PTFE, ASTM D1710, TYPE I, GRADE 1, CLASS A	

PART NO. MSSS-4927

OUTLINE DRAWING



MICRO-MODE PRODUCTS, INC.
The Reliable Connection to the Future

El Cajon, CA 92020
ph 619.449.3844
www.micromode.com

CAGE CODE
15907

ASSY PROCEDURES: N/A

INSERTION/EXTRACTION TOOL:
MRTL-6109 (2.6") OR
MRTL-7161 (used with LD locking male interface)

MSSS FEMALE
BLINDMATE INTERCONNECT(.900 OAL)

PART NO.

REVISION

SHEET 1 OF 1 | OL4927 1-18-02 MP RF

MSSS-4927

01