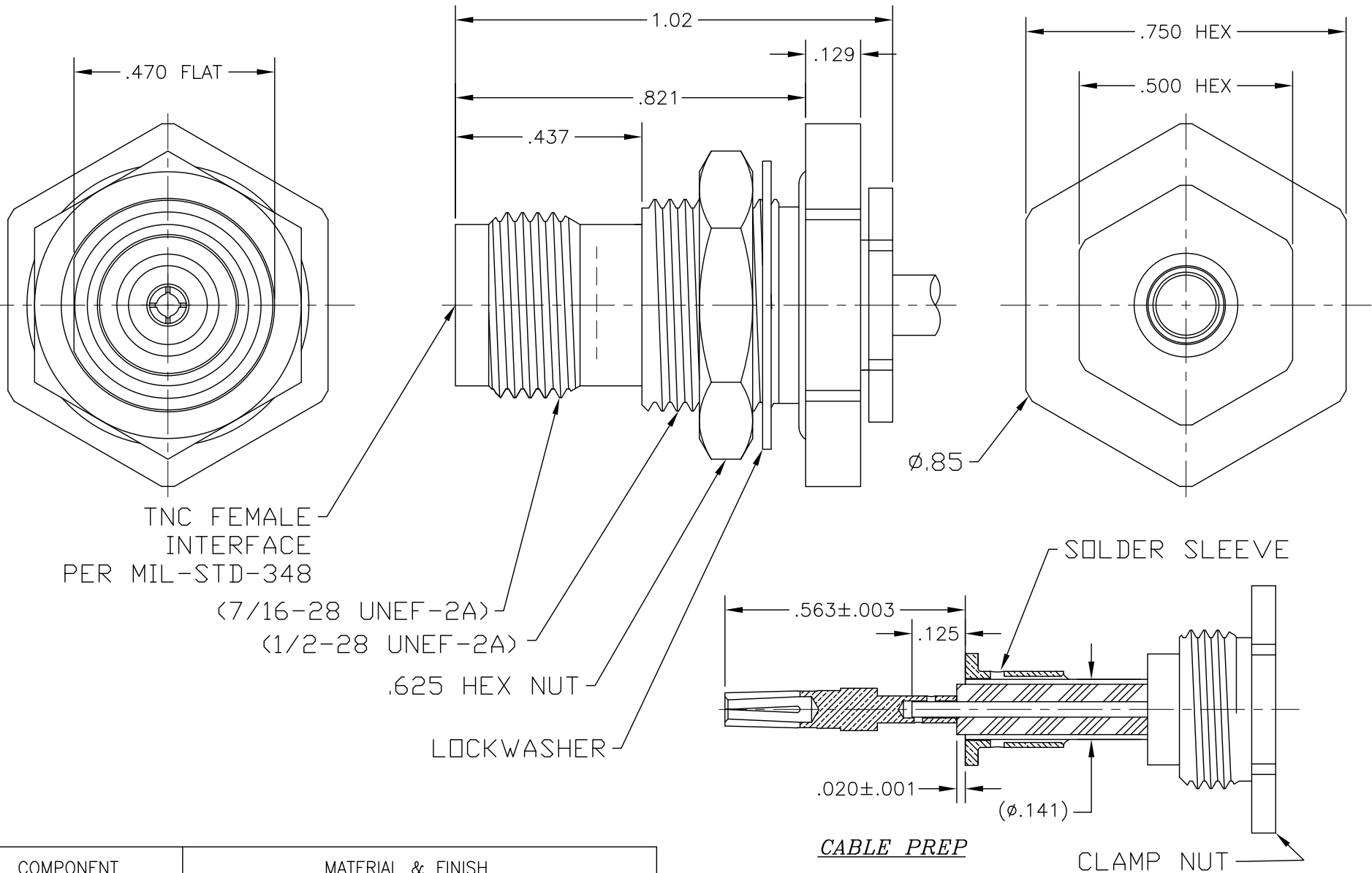



OUTLINE DRAWING

PART NO. MTNC-3410



COMPONENT	MATERIAL & FINISH	
CONTACT SOLDER, SLEEVE	BeCu, ASTM B196, UNS C17300	GOLD PLATE, MIL-G-45204, TYPE 1, GRADE C, CLASS 1
INSULATOR	PTFE, ASTM D1710, TYPE I, GRADE 1, CLASS A	
BODY, JAM NUT, CLAMP NUT	303 CRES, ASTM A582	PASSIVATE, AMS-QQ-P-35
LOCKWASHER	410 CRES, ASTM A276	PASSIVATE, AMS-QQ-P-35
O-RING	SILICONE RUBBER, ZZ-R-765	

 MICRO-MODE PRODUCTS, INC. <i>The Reliable Connection to the Future</i>	El Cajon, CA 92020 ph 619.449.3844 www.micromode.com	CAGE CODE 15907
	ASSY PROCEDURES: N/A INSERTION/EXTRACTION TOOL: N/A	
TNC (F), BULKHEAD TO .141 SR CABLE		REVISION B
SHEET 1 OF 1 OL3410 12-11-14 MD EB		PART NO. MTNC-3410

PART NO. MTNC-3410 | OUTLINE DRAWING