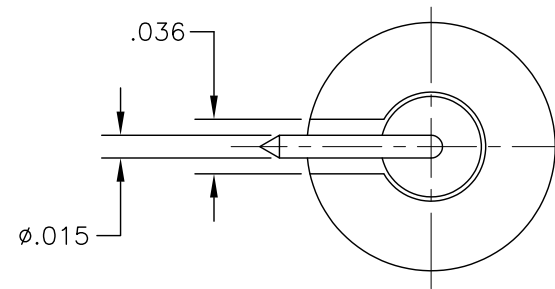
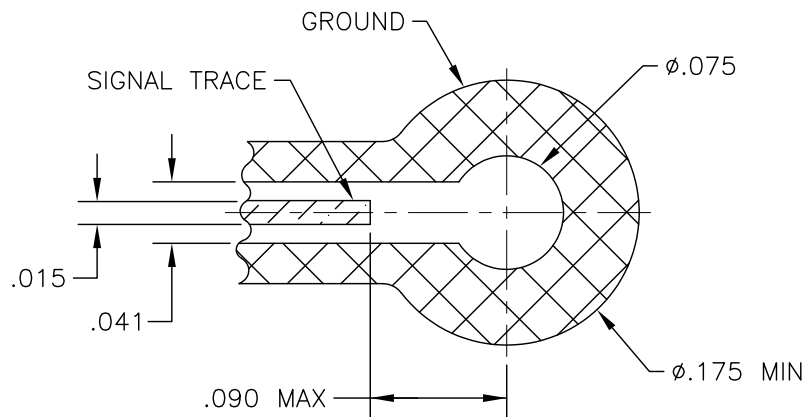
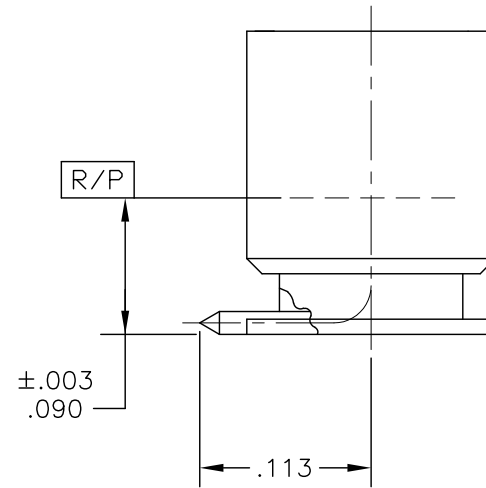
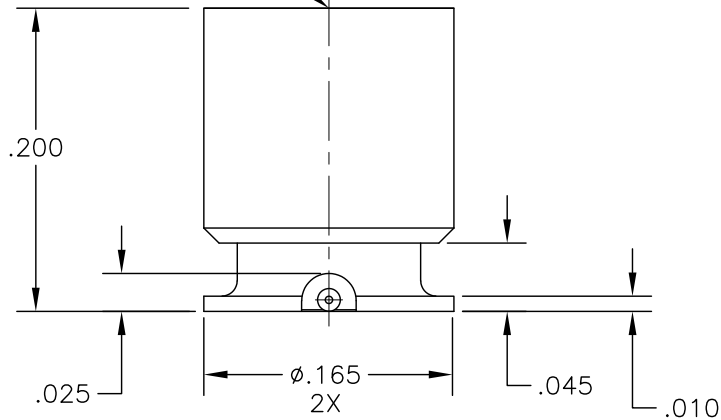


OUTLINE DRAWING

PART NO. MMSP-12441

SMP MALE
LIMITED DETENT
INTERFACE
PER MIL-STD-348



COMPONENT	MATERIAL & FINISH
BODY & CONTACT	BeCu, ASTM B196, UNS C17300 GOLD PLATE, MIL-G-45204, TYPE 1, GRADE C, CLASS 1 NICKEL PLATE PER MIL-C-26074
INSULATOR	PEEK 1000 PER ASTM D6262
SOLDER	Sn60 OR Sn63



MICRO-MODE PRODUCTS, INC.
The Reliable Connection to the Future

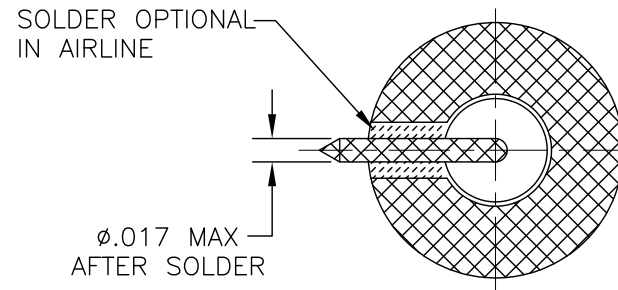
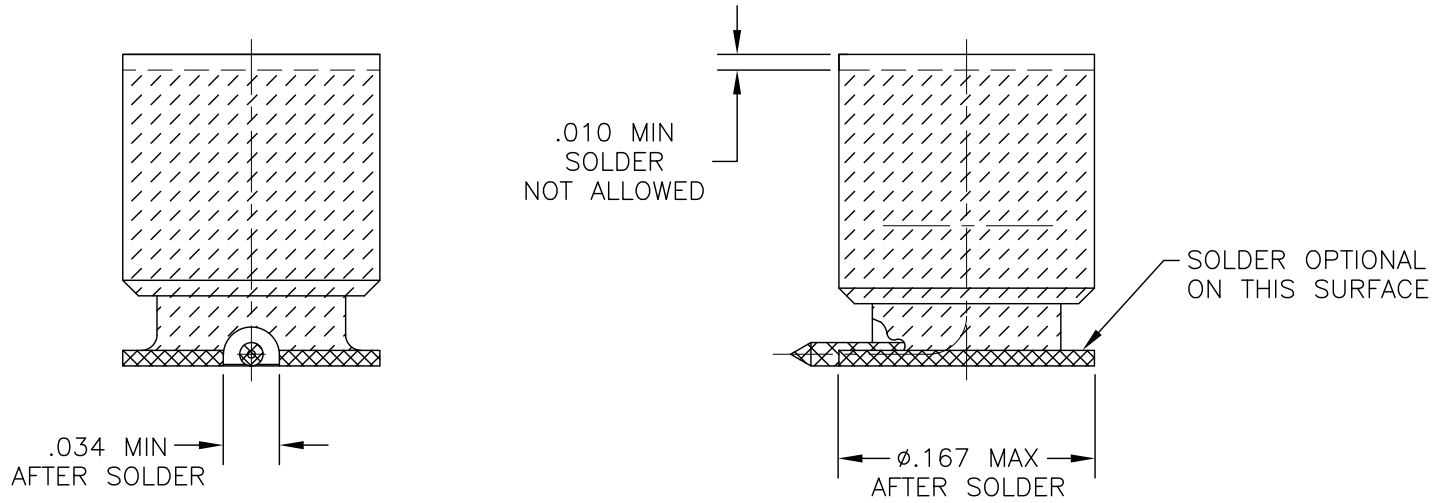
El Cajon, CA 92020
ph 619.449.3844
www.micromode.com

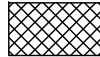
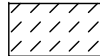
CAGE CODE
15907

ASSY PROCEDURES: MMAP-5139
INSERTION/EXTRACTION TOOL: N/A
SHEET 1 OF 2 OL12441 2-25-13 . MP


SMP MALE, LIMITED DETENT SURFACE MOUNT, R/A LAUNCH
PART NO. MMSP-12441
REVISION A

PART NO. MMSP-12441 | OUTLINE DRAWING



 SOLDER REQUIRED
 SOLDER OPTIONAL

PART NO. MMSP-12441 | OUTLINE DRAWING

COMPONENT	MATERIAL & FINISH	 MICRO-MODE PRODUCTS, INC. <i>The Reliable Connection to the Future</i>		El Cajon, CA 92020 ph 619.449.3844 www.micromode.com	CAGE CODE 15907
BODY & CONTACT	BeCu, ASTM B196, UNS C17300 GOLD PLATE, MIL-G-45204, TYPE 1, GRADE C, CLASS 1	ASSY PROCEDURES: MMAP-9157		SMP MALE, LIMITED DETENT SURFACE MOUNT, R/A LAUNCH	
INSULATOR	PEEK 1000 PER ASTM D6262	INSERTION/EXTRACTION TOOL: N/A			
SOLDER	Sn60 OR Sn63	SHEET 2 OF 2 OL12441 2-25-13 . MP		PART NO. MMSP-12441	REVISION A