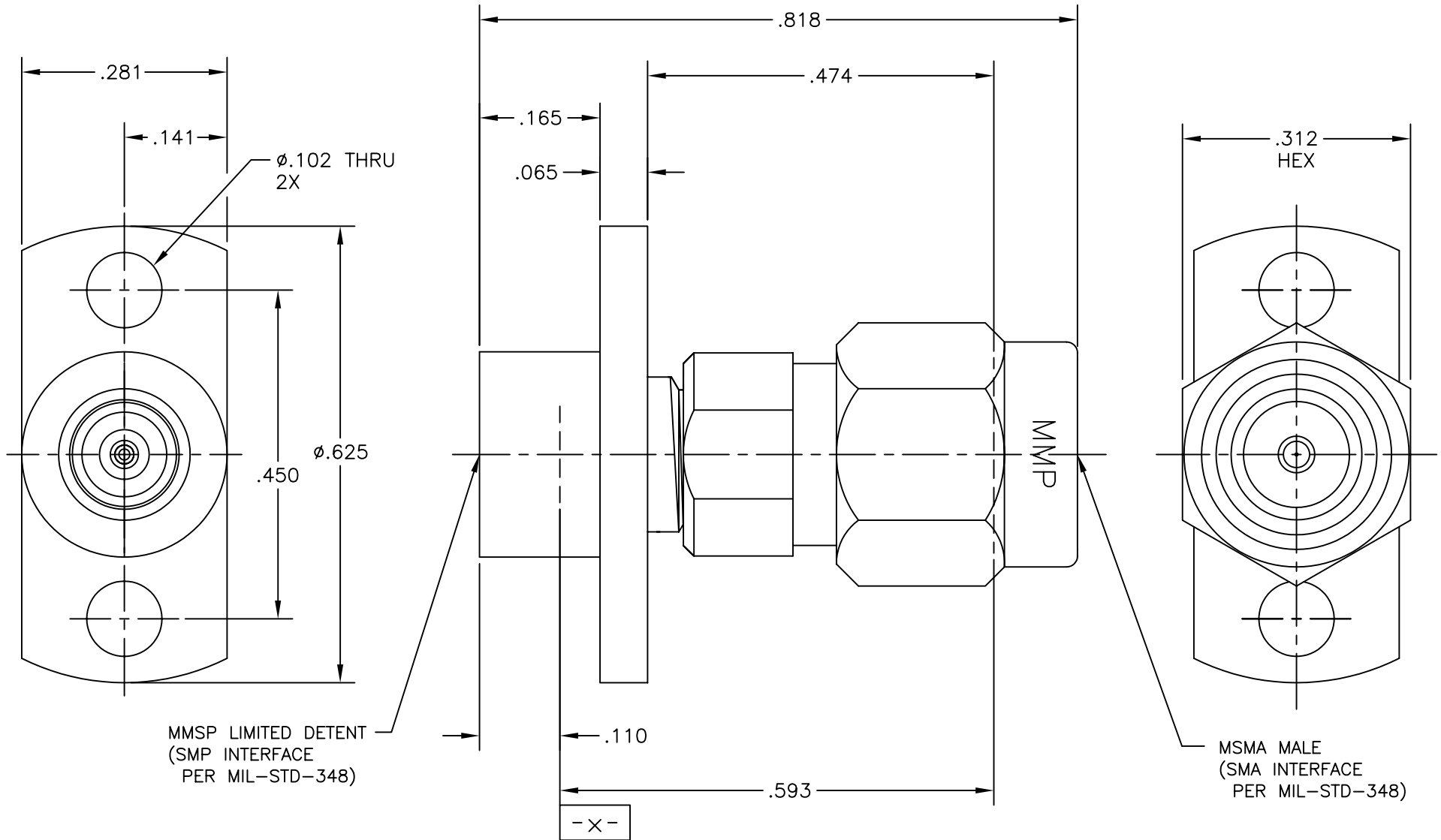



OUTLINE DRAWING

PART NO. MADP-8579



PART NO. MADP-8579 | OUTLINE DRAWING

COMPONENT	MATERIAL & FINISH		 <b>MICRO-MODE PRODUCTS, INC.</b> <i>The Reliable Connection to the Future</i>	El Cajon, CA 92020 ph 619.449.3844 www.micromode.com	CAGE CODE 15907
CONTACT	BeCu, ASTM B196, UNS C17300	GOLD PLATE, MIL-G-45204, TYPE 1, GRADE C, CLASS 1			
INSULATOR	PTFE, ASTM D1710, TYPE I, GRADE 1, CLASS A		INSERTION/EXTRACTION TOOL: N/A		
BODY	303 CRES, ASTM A582	PASSIVATE, AMS-QQ-P-35	PART NO. <b>MADP-8579</b>		REVISION <b>A</b>
			SHEET 1 OF 1   OL8579 6-23-06 MP .		