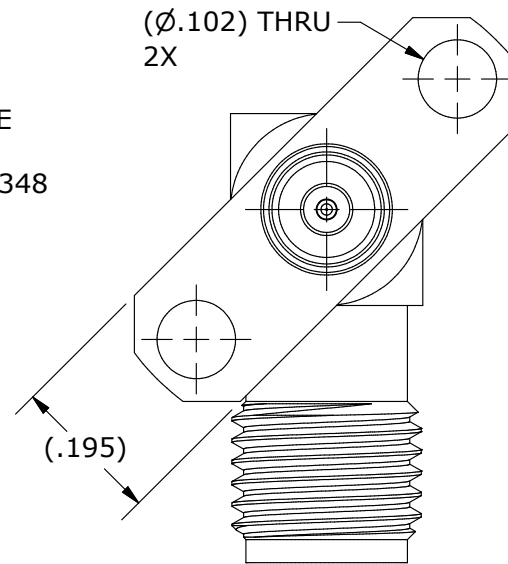


SMP MALE SMOOTH BORE INTERFACE PER MIL-STD-348



COMPONENT	MATERIAL	FINISH	MICRO-MODE PRODUCTS, INC. <i>The Reliable Connection to the Future</i>		El Cajon, CA 92020 ph 619.449.3844 www.micromode.com	CAGE CODE 15907
BODIES	303 CRES, ASTM A582	PASSIVATE, AMS-QQ-P-35	ASSEMBLY PROCEDURES: N/A		ADAPTER, SMA (F) TO SMP (SB)	
INSULATORS	PTFE PER ASTM D1710 TYPE 1, GRADE 1, CLASS A					
CONTACT	BeCu, ASTM B196, UNS C17300	GOLD PLATE, MIL-DTL-45204, TYPE 1, GRADE C, CLASS 1	PART NO. MADP-7808		REVISION A	
			SHEET 1 OF 1	7/6/2016	BJ	