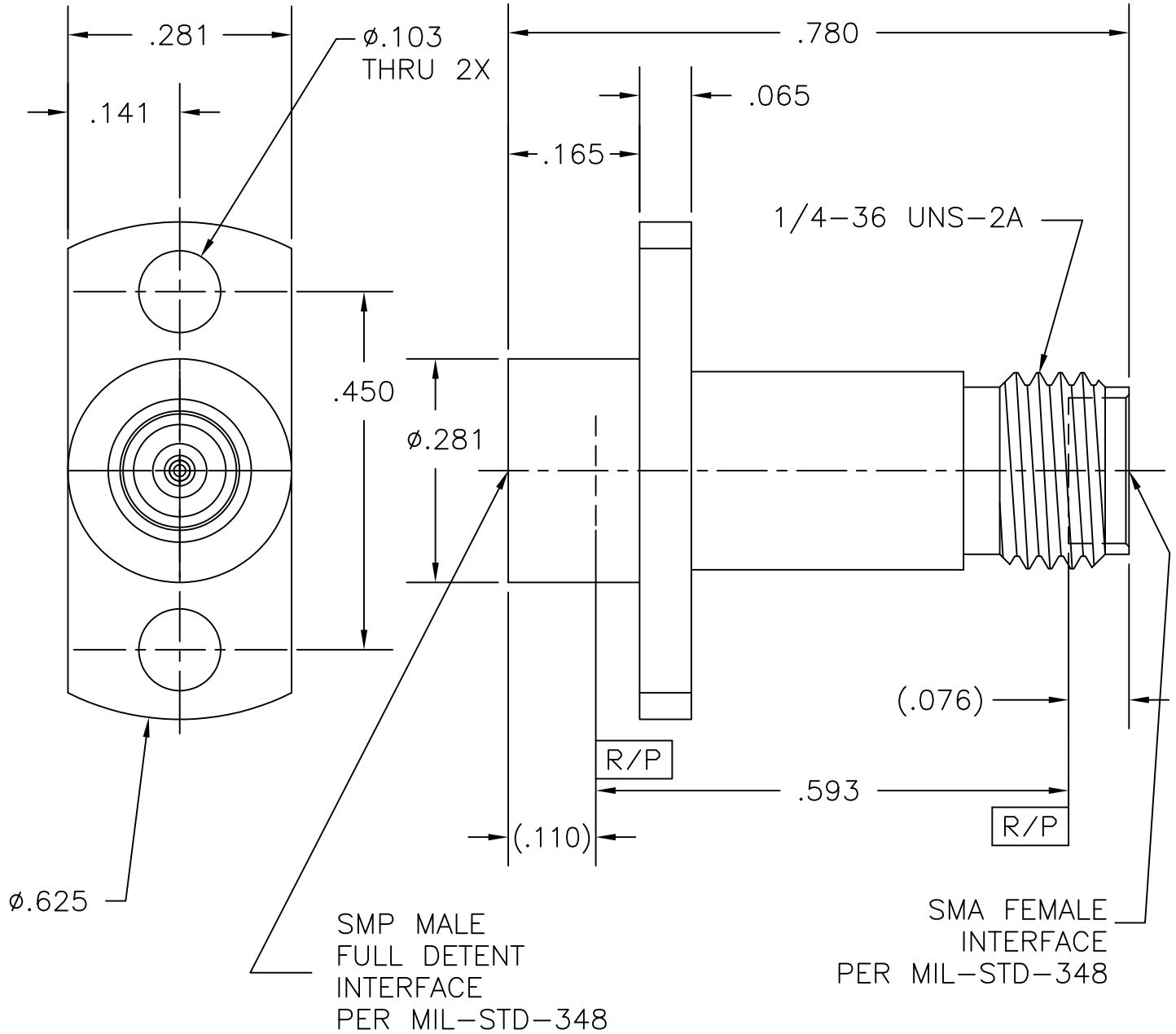


COMPONENT	MATERIAL AND FINISH	
CONTACT	BeCu, ASTM B196, UNS C17300	GOLD PLATE, MIL-G-45204, TYPE 1, GRADE C, CLASS 1
INSULATORS	PTFE, ASTM D1710, TYPE I, GRADE 1, CLASS A	
BODIES	303 CRES, ASTM A582	PASSIVATE, AMS-QQ-P-35

PART NO. MADP-6545



OUTLINE DRAWING



MICRO-MODE PRODUCTS, INC.  
*The Reliable Connection to the Future*

El Cajon, CA 92020  
ph 619.449.3844  
www.micromode.com

CAGE CODE  
15907

ASSY PROCEDURES: N/A

INSERTION/EXTRACTION TOOL: N/A

SMP (M) FULL DETENT FLANGE  
MOUNT TO SMA (F) ADAPTER

PART NO.

MADP-6545

REVISION

C

SHEET 1 OF 1 | OL6545 6-25-99 JH PC