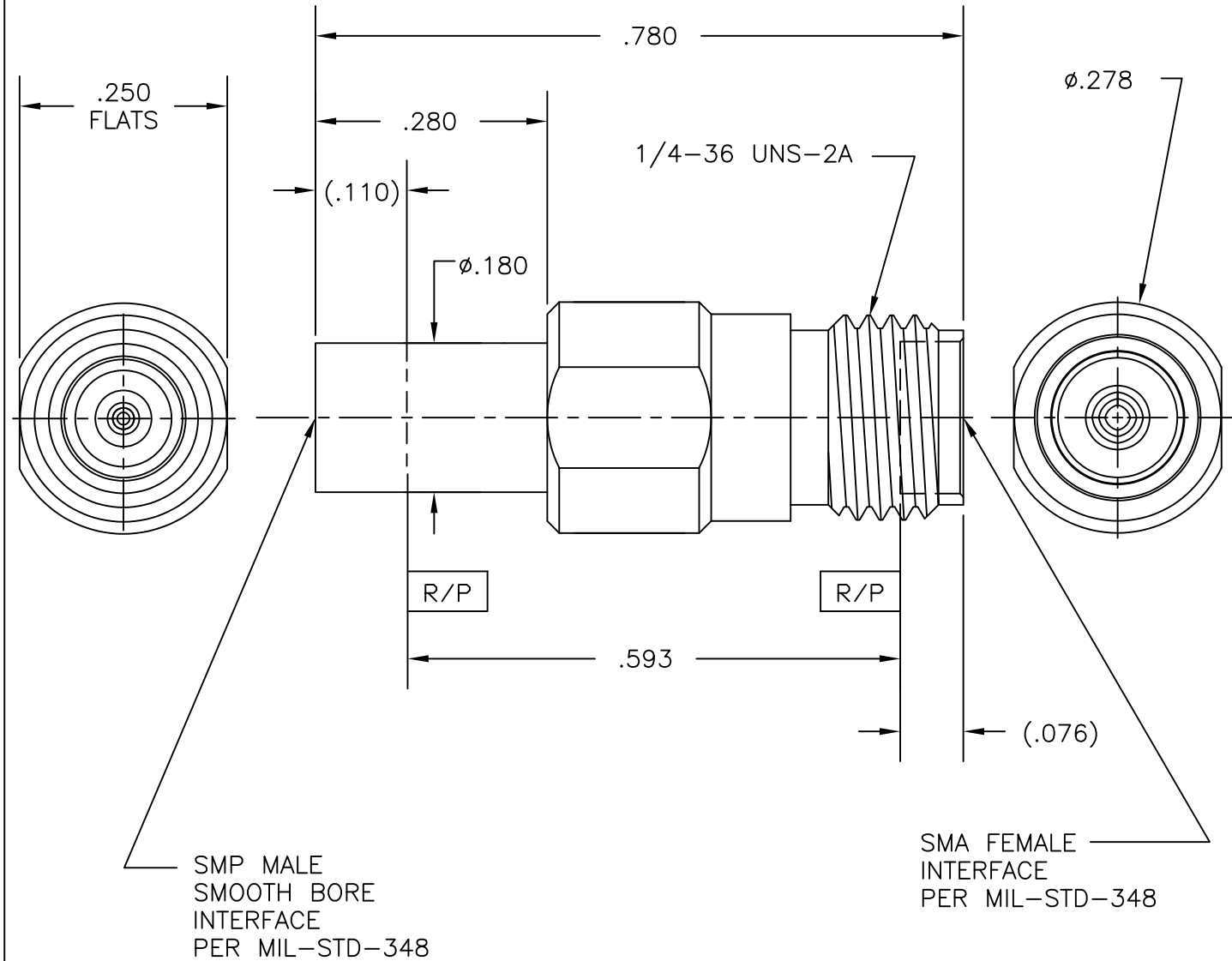


COMPONENT	MATERIAL AND FINISH	
CONTACT	BeCu, ASTM B196, UNS C17300	GOLD PLATE, MIL-G-45204, TYPE 1, GRADE C, CLASS 1
INSULATORS	PTFE, ASTM D1710, TYPE I, GRADE 1, CLASS A	
BODY, BUSHING	303 CRES, ASTM A582	PASSIVATE, AMS-QQ-P-35

PART NO. MADP-6279

OUTLINE DRAWING



 MICRO-MODE PRODUCTS, INC. <i>The Reliable Connection to the Future</i>	El Cajon, CA 92020 ph 619.449.3844 www.micromode.com	CAGE CODE 15907
--	--	--------------------

ASSY PROCEDURES: N/A	MMSP (M) SMOOTH BORE TO SMA (F) ADAPTER	PART NO. MADP-6279	REVISION E
INSERTION/EXTRACTION TOOL: N/A			
SHEET 1 OF 1	OL6279 1-27-99	PC	