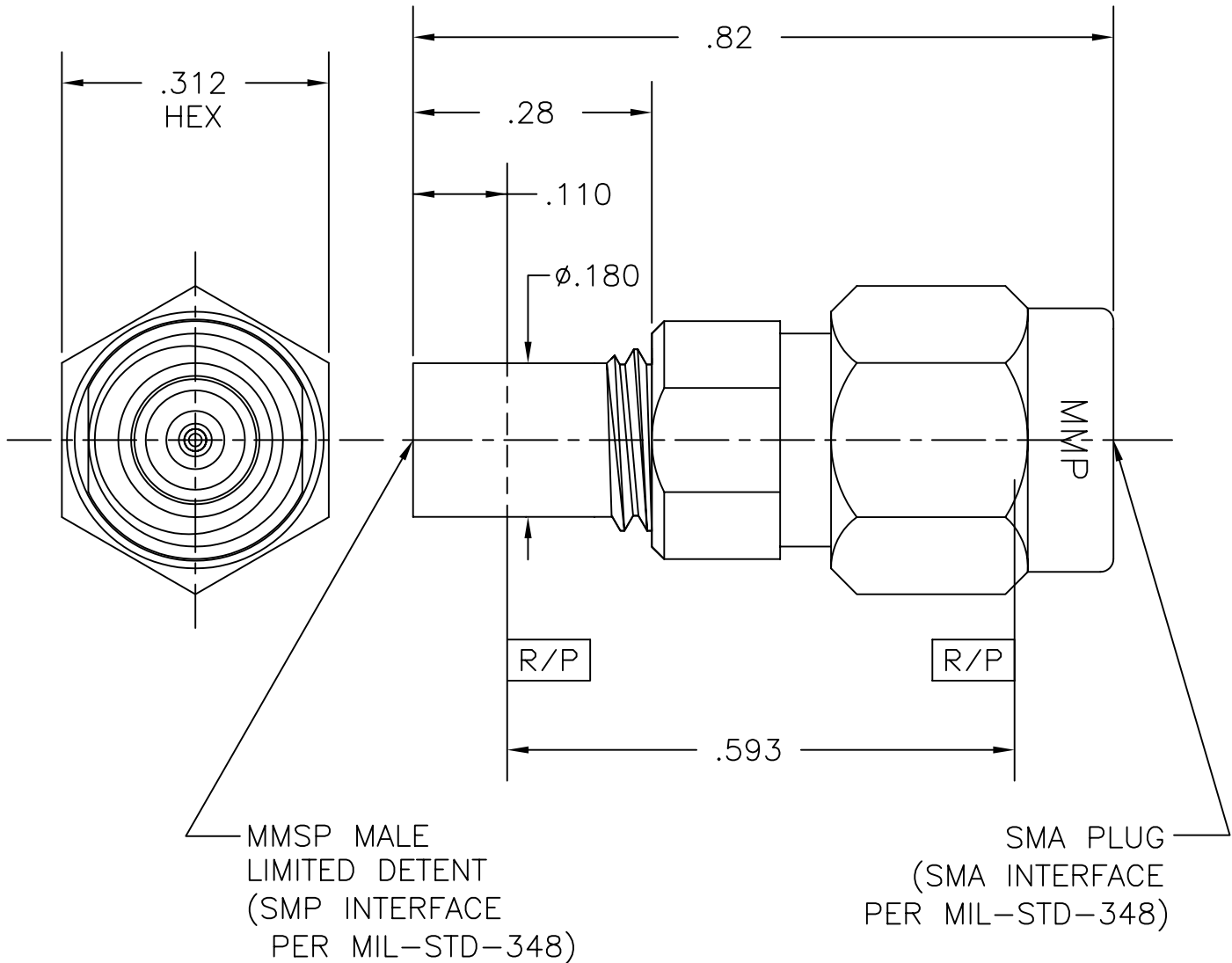


COMPONENT	MATERIAL AND FINISH	
BODY, COUPLING NUT	303 CRES, ASTM A582	PASSIVATE, AMS-QQ-P-35
INSULATORS	PTFE, ASTM D1710, TYPE I, GRADE 1, CLASS A	
CONTACT	BeCu, ASTM B196, UNS C17300	GOLD PLATE, MIL-G-45204, TYPE 1, GRADE C, CLASS 1

PART NO. MADP-5268

OUTLINE DRAWING



MICRO-MODE PRODUCTS, INC.
The Reliable Connection to the Future

El Cajon, CA 92020
 ph 619.449.3844
 www.micromode.com

CAGE CODE
 15907

ASSY PROCEDURES: N/A	MMSP (M) LIMITED DETENT TO SMA (P) ADAPTER	
INSERTION/EXTRACTION TOOL: N/A	PART NO.	REVISION
SHEET 1 OF 1	OL5268 5-30-02 MP RF	MADP-5268 B