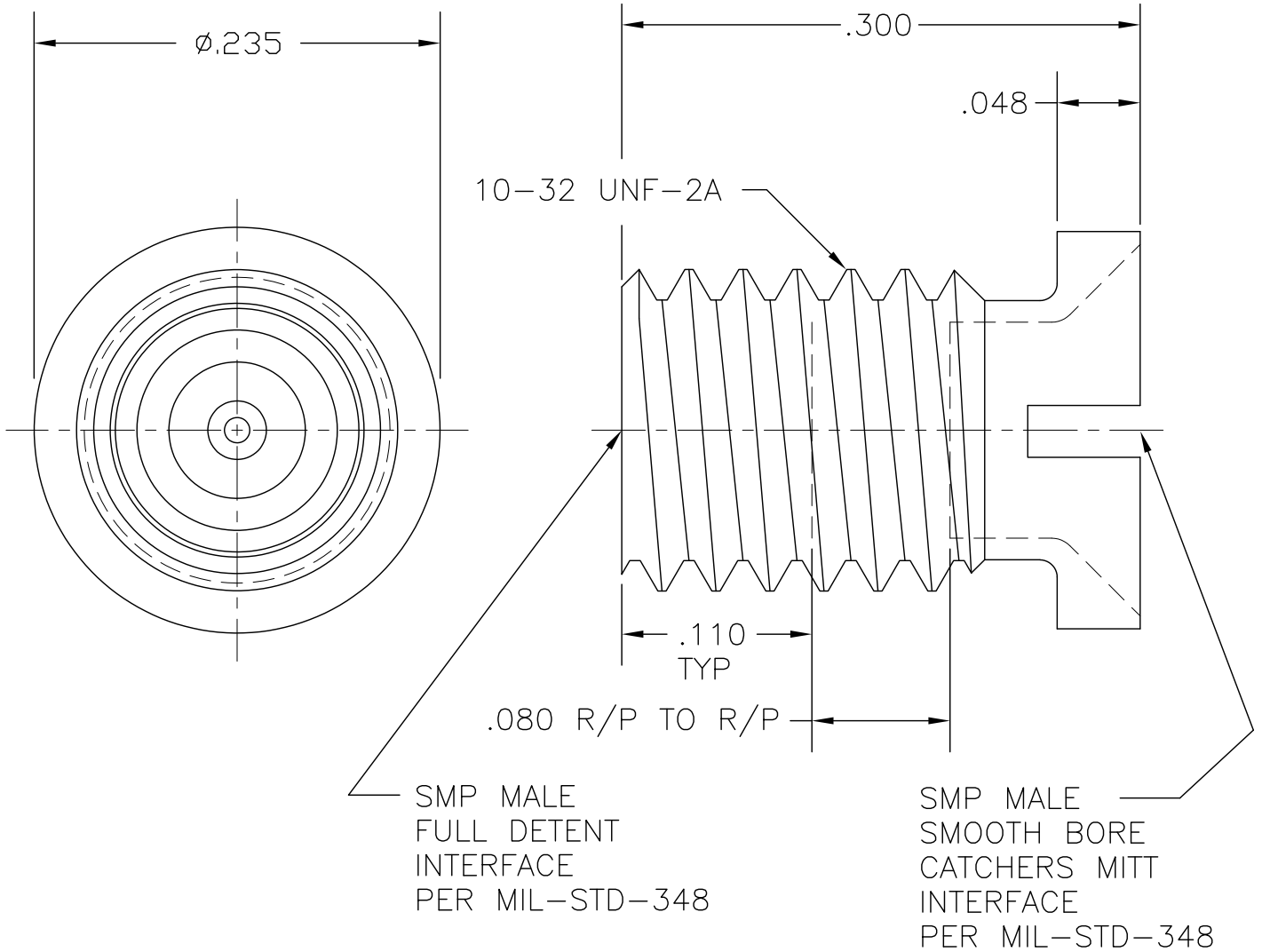


COMPONENT	MATERIAL AND FINISH	
BODY	303 CRES, ASTM A582	PASSIVATE, AMS-QQ-P-35
INSULATORS	PTFE, ASTM D1710, TYPE 1, GRADE 1, CLASS A	
CONTACT	BeCu, ASTM B196 UNS C17300	GOLD PLATE, MIL-DTL-45204, TYPE 1, GRADE C, CLASS 1

PART NO. MMSP-4956

OUTLINE DRAWING



 MICRO-MODE PRODUCTS, INC. <i>The Reliable Connection to the Future</i>	El Cajon, CA 92020 ph 619.449.3844 www.micromode.com	CAGE CODE 15907
--	--	--------------------

ASSY PROCEDURE: N/A LOCATOR TOOL: MMTL-2685 OR MMTL-5937	MMSP (M) FULL DETENT TO MMSP (M) SMOOTH BORE CATCHERS MITT ADAPTER
---	--

SHEET 1 OF 1 OL4956 2-12-02 RF EB	PART NO. MMSP-4956	REVISION C
---	---------------------------	----------------------