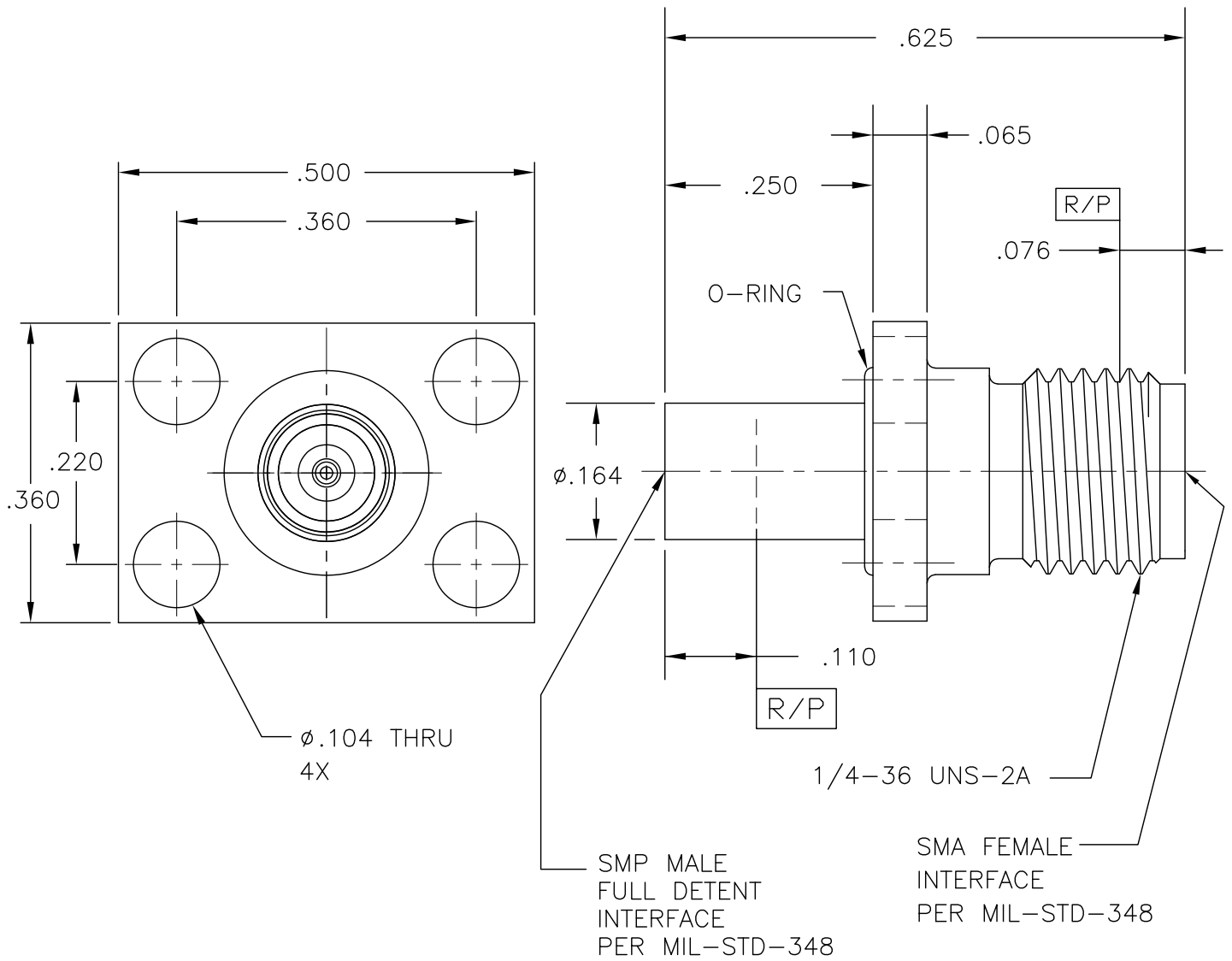


COMPONENT	MATERIAL AND FINISH	
BODY & CONTACT	BeCu, ASTM B196, UNS C17300	GOLD PLATE, MIL-G-45204, TYPE 1, GRADE C, CLASS 1
INSULATORS	PTFE, ASTM D1710, TYPE I, GRADE 1, CLASS A	
BODY	303 CRES, ASTM A582	PASSIVATE, AMS-QQ-P-35
O-RING	FLUOROSILICONE, ASTM D1418	

PART NO. MADP-4121



OUTLINE DRAWING



MICRO-MODE PRODUCTS, INC.  
*The Reliable Connection to the Future*

El Cajon, CA 92020  
ph 619.449.3844  
www.micromode.com

CAGE CODE  
15907

ASSY PROCEDURES: N/A

INSERTION/EXTRACTION TOOL: N/A

SMP (FD), TO SMA FEMALE  
ADAPTER (4 HOLE FLANGE MOUNT)

PART NO.

MADP-4121

REVISION

D

SHEET 1 OF 1 | OL4121 10-22-04 MD .