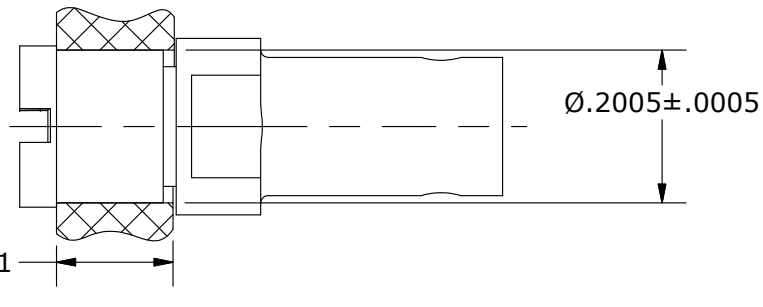
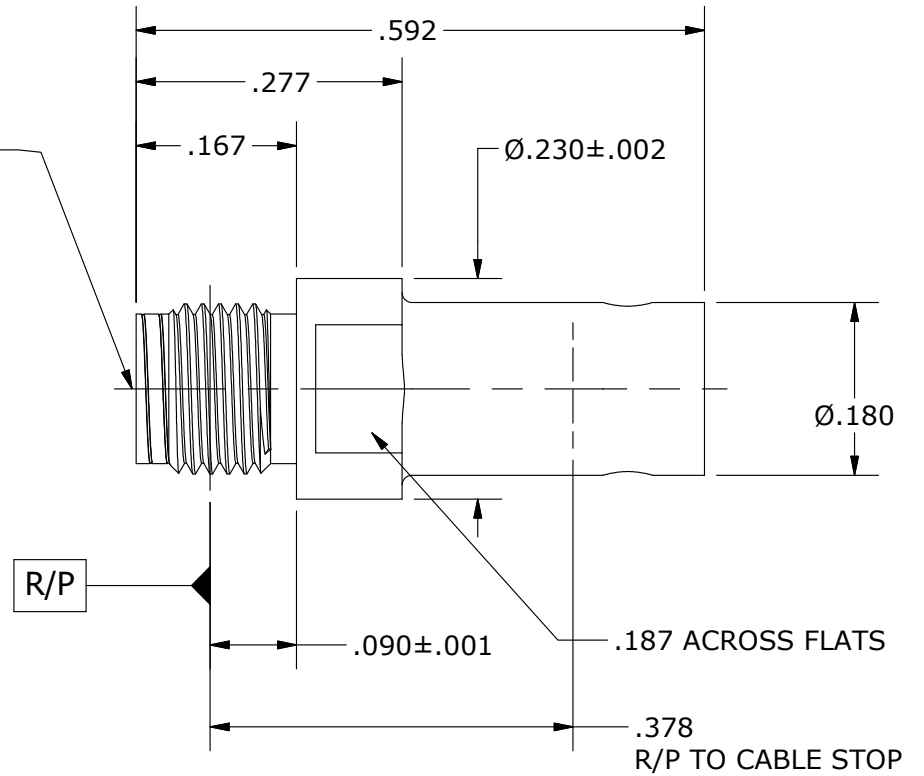
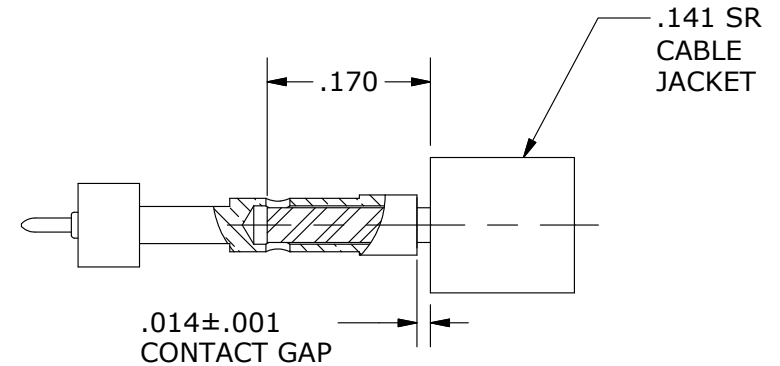


SMP MALE
LIMITED DETENT
INTERFACE
PER MIL-STD-348



MOUNTING HOLE/PANEL DETAIL



CABLE TRIM

COMPONENT	MATERIAL	FINISH	MICRO-MODE PRODUCTS, INC. <i>The Reliable Connection to the Future</i>		El Cajon, CA 92020 ph 619.449.3844 www.micromode.com	CAGE CODE 15907
BODY & CONTACT	BeCu, ASTM B196, UNS C17300	GOLD PLATE, MIL-DTL-45204, TYPE 1, GRADE C, CLASS 1	ASSEMBLY PROCEDURES: MMAP-6569		SMP MALE, LDCM BULKHEAD MOUNT TO .141 SR CABLE	
INSULATOR	PTFE PER ASTM D1710 TYPE 1, GRADE 1, CLASS A		TOOL: N/A			
COUPLING NUT	303 CRES, ASTM A582	PASSIVATE, AMS-QQ-P-35	SHEET 1 OF 1		PART NO. MMSP-14132	REVISION A
			04/23/15	MD		