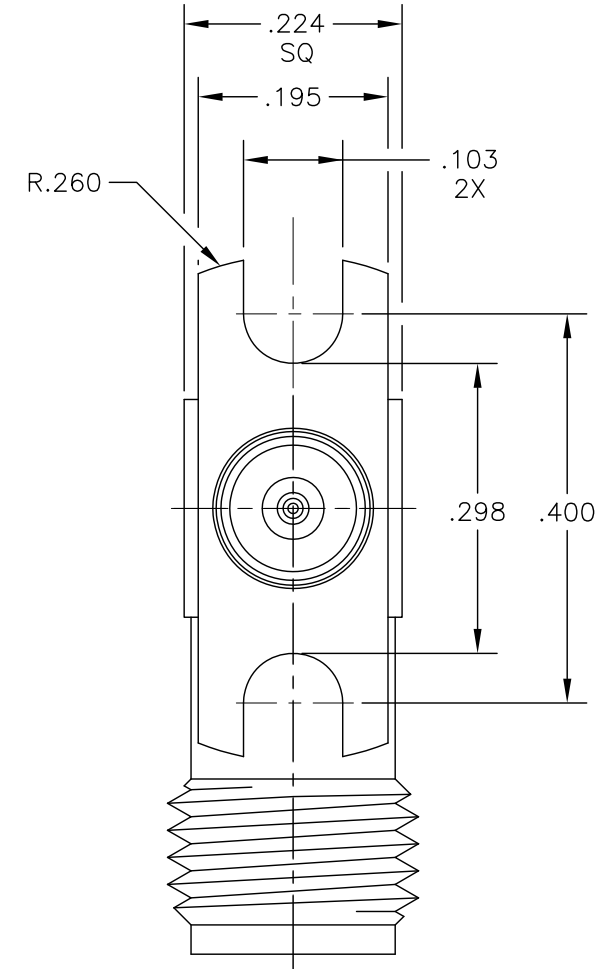


±.0015
Ø.1640

SMP MALE LIMITED DETENT INTERFACE PER MIL-STD-348



PART NO. MADP-10430

OUTLINE DRAWING

COMPONENT	MATERIAL & FINISH
CONTACT	BeCu, ASTM B196, UNS C17300 GOLD PLATE, MIL-C-45204, TYPE 1, GRADE C, CLASS 1
INSULATOR	PTFE, ASTM D1710, TYPE I, GRADE 1, CLASS A
BODY, SHROUD	303 CRES, ASTM A582 PASSIVATE, AMS-QQ-P-35



MICRO-MODE PRODUCTS, INC.
The Reliable Connection to the Future

El Cajon, CA 92020
ph 619.449.3844
www.micromode.com

CAGE CODE
15907

ASSY PROCEDURES: N/A
INSERTION/EXTRACTION TOOL: N/A
SHEET 1 OF 1 OL10430 3-23-10 MP .

SMP MALE (LD) TO SMA JACK ADAPTOR, RIGHT ANGLE, 2 HOLE FLANGE	
PART NO. MADP-10430	REVISION A