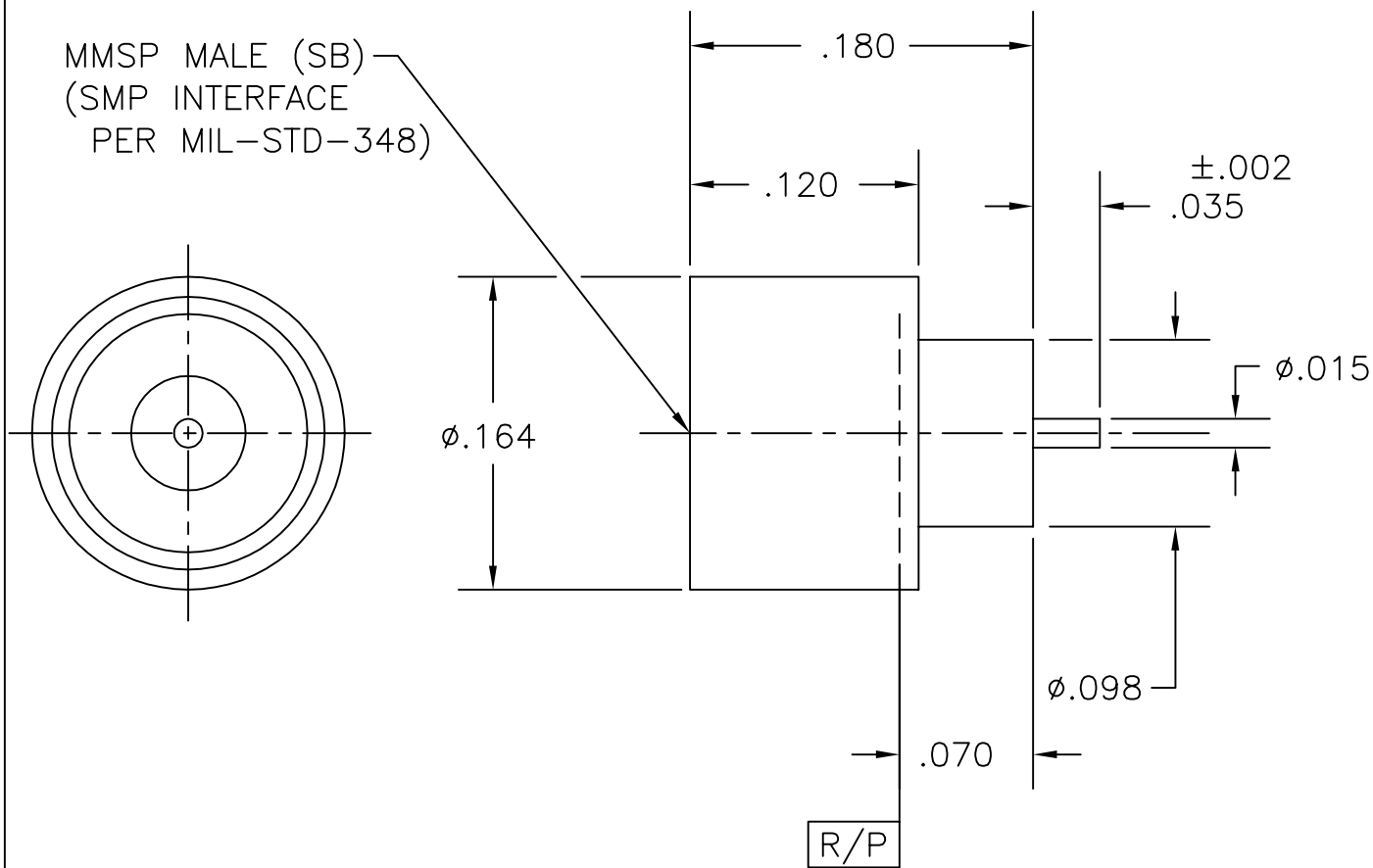


COMPONENT	MATERIAL AND FINISH	
BODY & PIN	KOVAR, MIL-I-23011 ASTM F-15	GOLD PLATE, MIL-G-45204, TYPE 3, GRADE A, CLASS 1
GLASS	CORNING #7070 OR EQUIVALENT	

PART NO. MMSP-3580

OUTLINE DRAWING



MICRO-MODE PRODUCTS, INC.
The Reliable Connection to the Future

El Cajon, CA 92020
ph 619.449.3844
www.micromode.com

CAGE CODE
15907

ASSY PROCEDURE: MMAP-2695	MMSP, MALE, SMOOTH BORE HERMETIC SHROUD	
LOCATOR TOOL: MMTL-2698		
SHEET 1 OF 1	PART NO. MMSP-3580	REVISION B

OL3580 2-15-00 RF EB