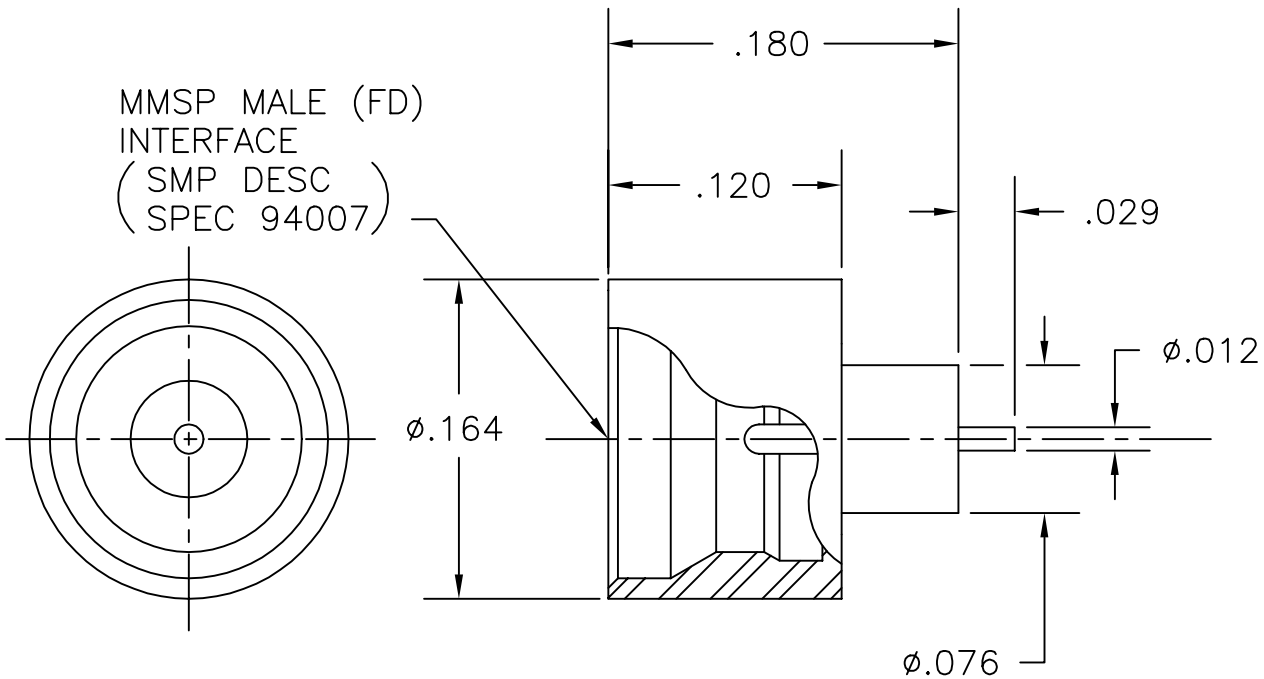


COMPONENT	MATERIAL AND FINISH	
BODY & PIN	KOVAR PER MIL-I-23011 ASTM F-15	GOLD PLATE, MIL-G-45204, TYPE 1, GRADE C, CLASS 1
GLASS	CORNING #7070 OR EQUIVALENT	

PART NO. MMSP-7190



OUTLINE DRAWING



MICRO-MODE PRODUCTS, INC.
The Reliable Connection to the Future

El Cajon, CA 92020 Peoria, AZ 85345
(619) 449-3844 (623) 334-8944

CAGE CODE
15907

ASSY PROCEDURES: MMAP-2695

LOCATOR TOOL: MMTL-2696

MMSP, MALE, FULL DETENT
HERMETIC SHROUD

PART NO.

MMSP-7190

REVISION

—

SHEET 1 OF 1 | OL7190 3-13-00 RF EB