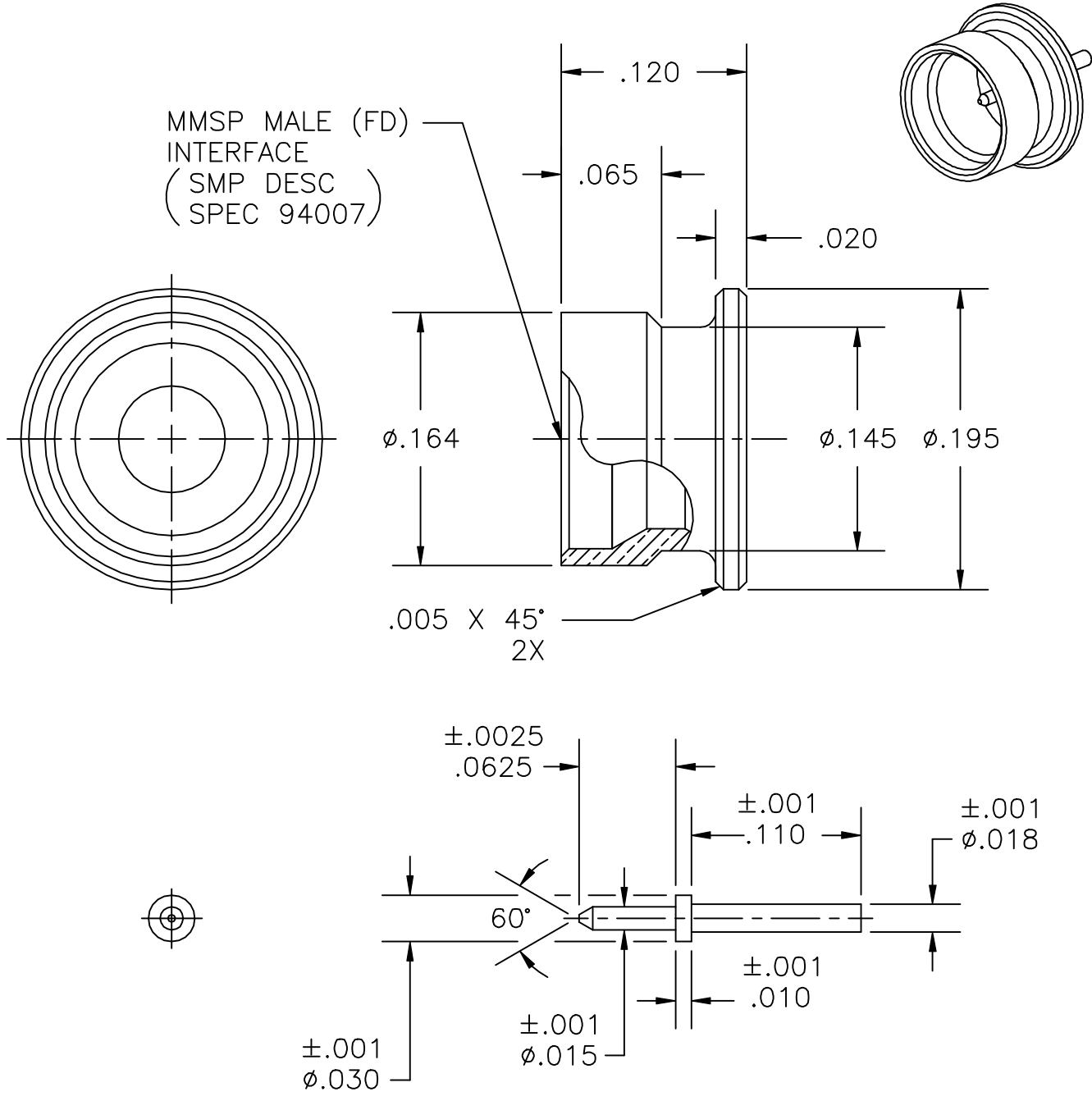


COMPONENT	MATERIAL AND FINISH	
SHROUD, PIN	BeCu, ASTM B196 UNS C17300	GOLD PLATE, MIL-G-45204 TYPE 1, GRADE C, CLASS 1

PART NO. MMSP-3514

OUTLINE DRAWING



MICRO-MODE PRODUCTS, INC.
The Reliable Connection to the Future

El Cajon, CA 92020 Peoria, AZ 85345
(619) 449-3844 (623) 334-8944

CAGE CODE
15907

ASSY PROCEDURES: N/A

INSERTION/EXTRACTION TOOL: N/A

MMSP, FULL DETENT SHROUD
SOLDER ATTACH WITH PIN

PART NO.

MMSP-3514

REVISION

—

SHEET 1 OF 1 | OL3514 12-9-99 RF EB