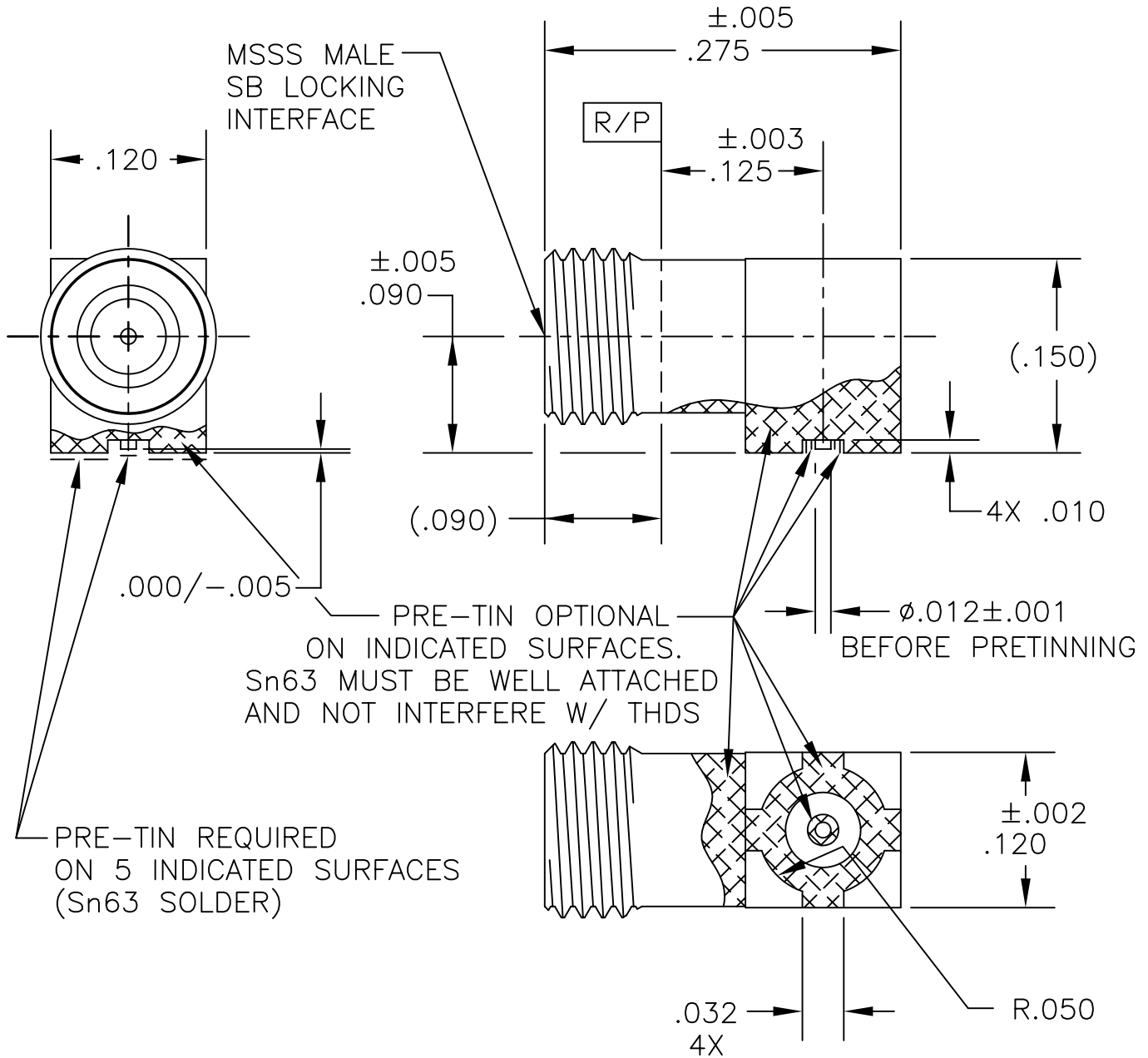


COMPONENT	MATERIAL AND FINISH	
BODY & CONTACT	BeCu, ASTM B196, UNS C17300	GOLD PLATE, MIL-G-45204, TYPE 1, GRADE C, CLASS 1
INSULATORS	PTFE, ASTM D1710, TYPE I, GRADE 1, CLASS A	
INTERFACE RING	303 CRES, ASTM A582	PASSIVATE, AMS-QQ-P-35

PART NO. MSSS-9320

OUTLINE DRAWING



MICRO-MODE PRODUCTS, INC.  
*The Reliable Connection to the Future*

El Cajon, CA 92020  
ph 619.449.3844  
www.micromode.com

CAGE CODE  
15907

ASSY PROCEDURES: N/A

INSERTION/EXTRACTION TOOL: N/A

MSSS, MALE SB LOCKING  
SWEPT R/A TO SURFACE MOUNT

PART NO.

MSSS-9320

REVISION

01

SHEET 1 OF 1 OL9320 11-13-07 MP