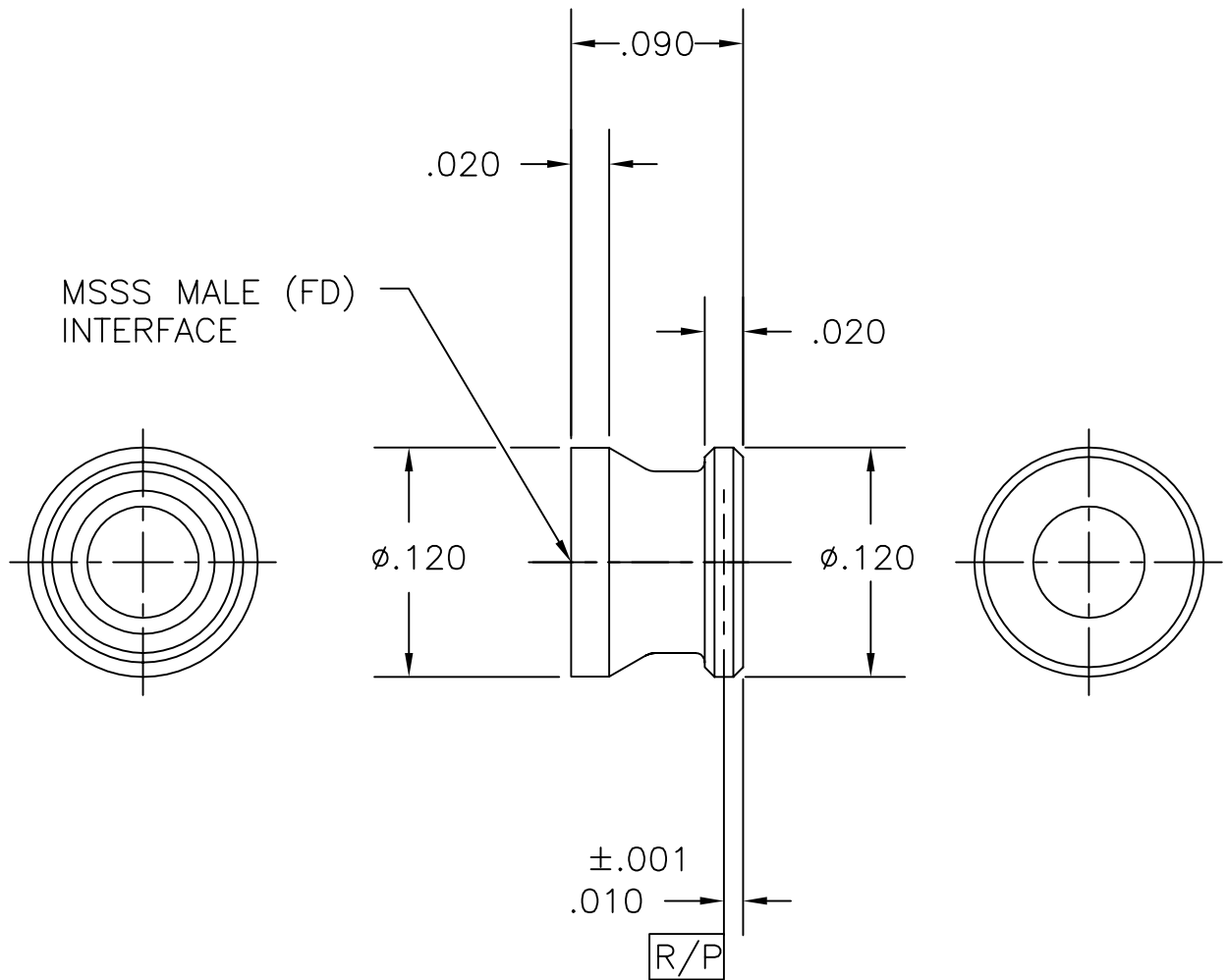


COMPONENT	MATERIAL AND FINISH	
SHROUD	BeCu, ASTM B196, UNS C17300	GOLD PLATE, MIL-G-45204, TYPE 1, GRADE C, CLASS 1

PART NO. MSSS-8045



OUTLINE DRAWING



MICRO-MODE PRODUCTS, INC.  
*The Reliable Connection to the Future*

El Cajon, CA 92020  
ph 619.449.3844  
www.micromode.com

CAGE CODE  
15907

ASSY PROCEDURE:	MSSS, FULL DETENT	
LOCATOR TOOL:	SURFACE MOUNT SHROUD	
SHEET 1 OF 1	PART NO.	REVISION
OL8045 7-12-05 MD	MSSS-8045	—