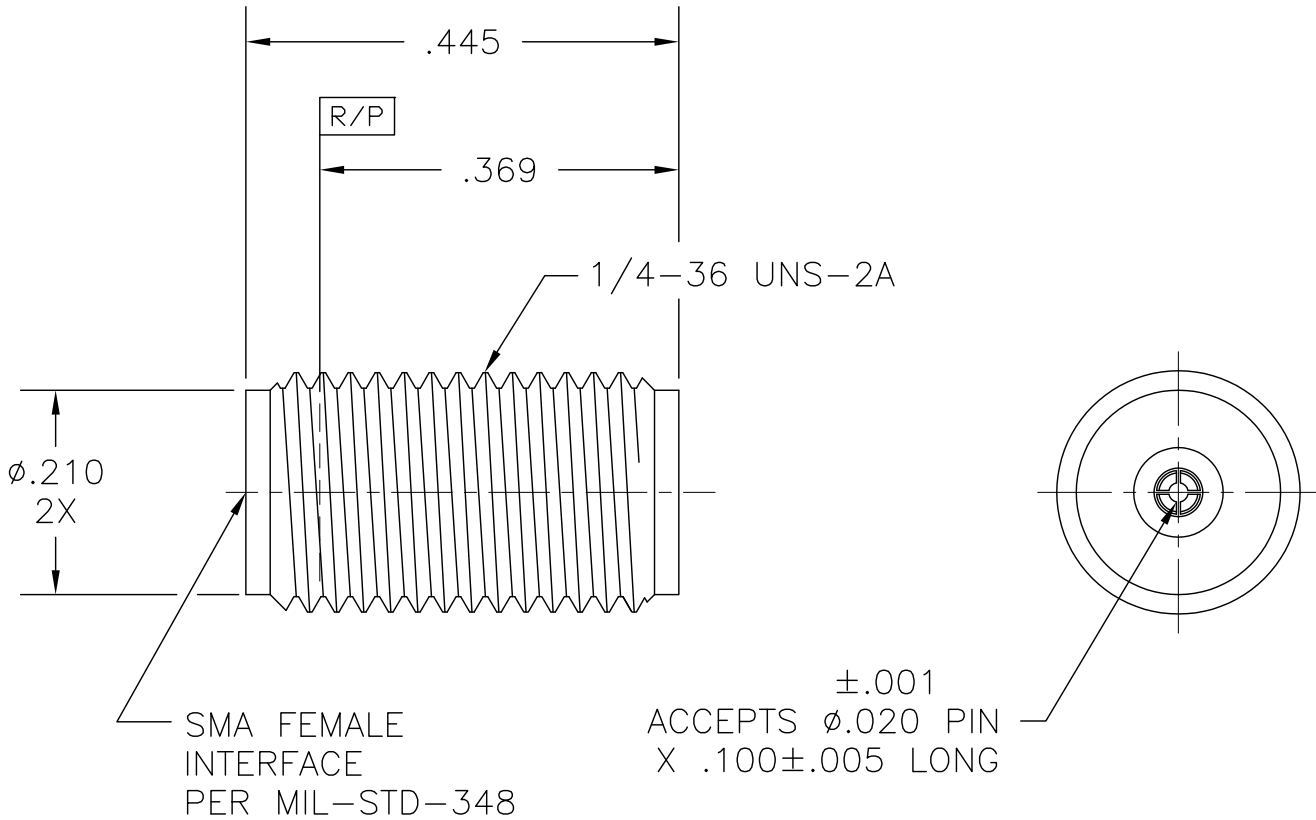


COMPONENT	MATERIAL AND FINISH	
BODY, CONTACT	BeCu, ASTM B196, UNS C17300	GOLD PLATE, MIL-G-45204, TYPE 1, GRADE C, CLASS 1
INSULATORS	PTFE, ASTM D1710, TYPE I, GRADE 1, CLASS A	

PART NO. MSMA-8021



OUTLINE DRAWING



MICRO-MODE PRODUCTS, INC.
The Reliable Connection to the Future

El Cajon, CA 92020
ph 619.449.3844
www.micromode.com

CAGE CODE
15907

ASSY PROCEDURES: N/A

INSERTION/EXTRACTION TOOL: N/A

SMA (F), SPARKPLUG CONNECTOR
ACCEPTS ø.020 PIN

PART NO.

MSMA-8021

REVISION

B

SHEET 1 OF 1 OL8021 2-16-06 MT