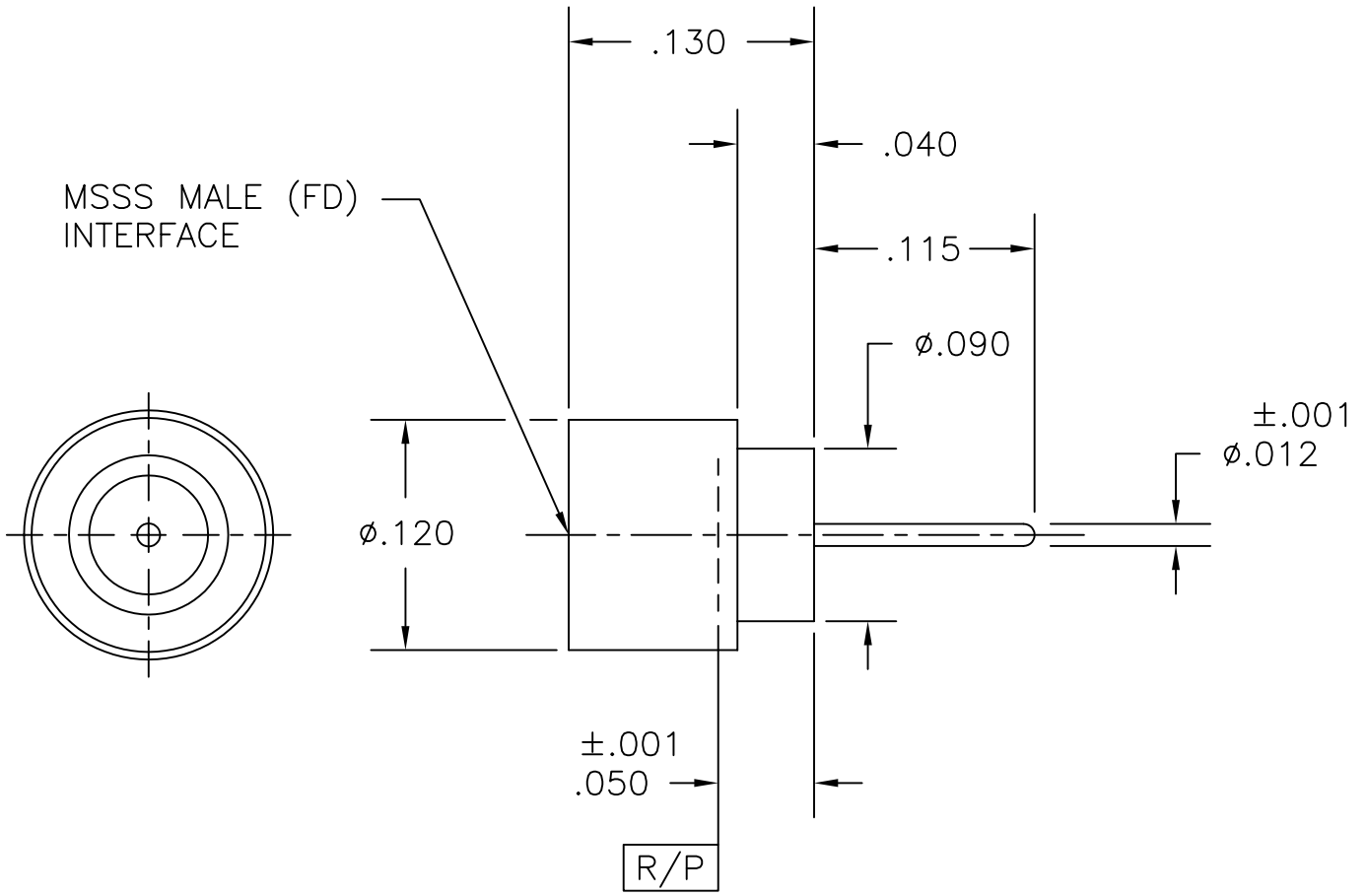


COMPONENT	MATERIAL AND FINISH	
BODY & PIN	KOVAR, MIL-I-23011, ASTM F15	GOLD PLATE, MIL-G-45204, TYPE 1, GRADE C, CLASS 1
GLASS	CORNING #7070 OR EQUIVALENT	

PART NO. MSSS-7984

OUTLINE DRAWING



MICRO-MODE PRODUCTS, INC.  
*The Reliable Connection to the Future*

El Cajon, CA 92020  
ph 619.449.3844  
www.micromode.com

CAGE CODE  
15907

ASSY PROCEDURE: MMAP-5151	MSSS, MALE, FULL DETENT, HERMETIC SHROUD	PART NO. MSSS-7984	REVISION
LOCATOR TOOL: MMTL-6704			—
SHEET 1 OF 1	OL7984 5-26-05	MP	