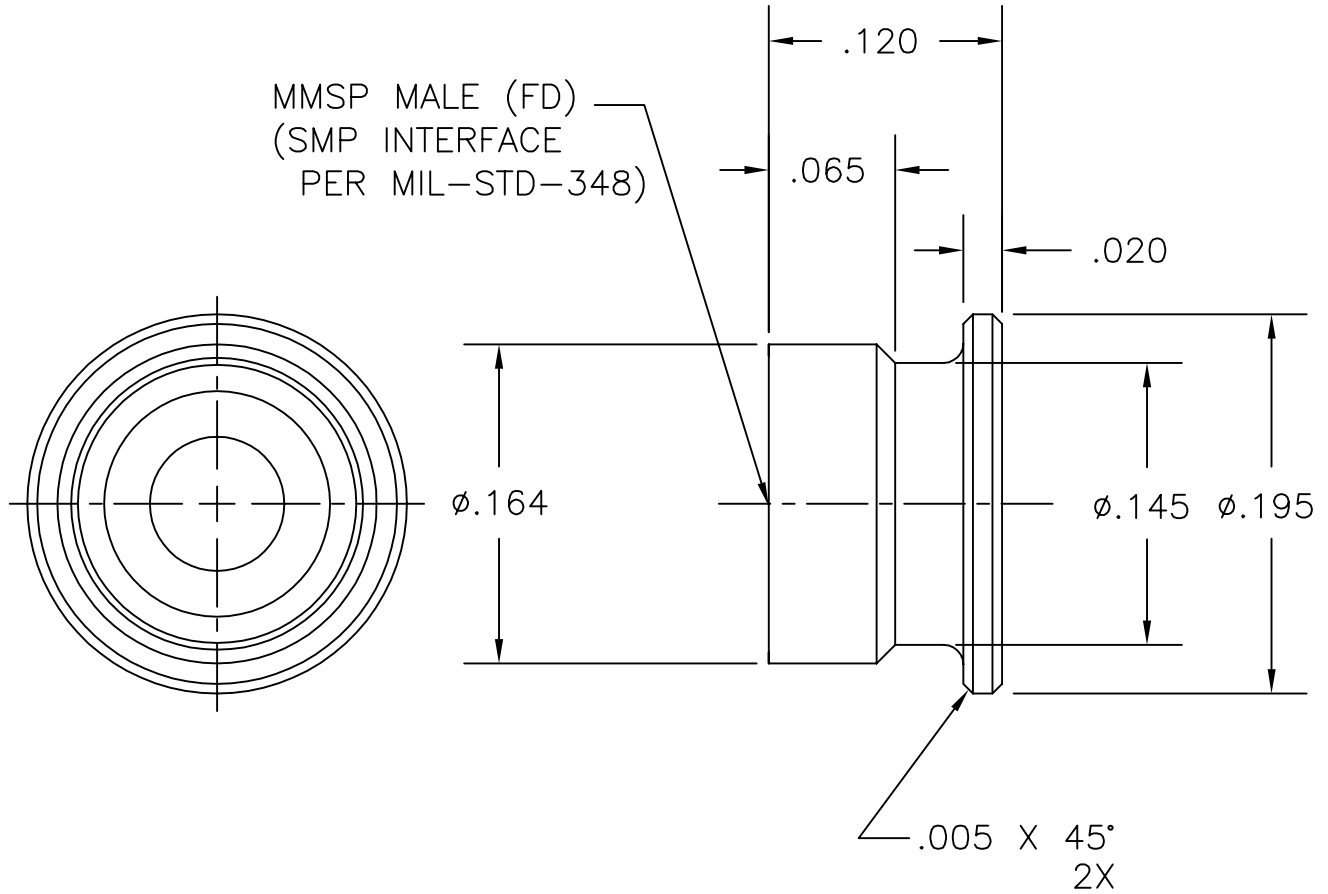


COMPONENT	MATERIAL AND FINISH	
SHROUD	BeCu, ASTM B196 UNS C17300	GOLD PLATE, MIL-G-45204 TYPE 1, GRADE C, CLASS 1

PART NO. MMSP-7801

OUTLINE DRAWING



MICRO-MODE PRODUCTS, INC.
The Reliable Connection to the Future

El Cajon, CA 92020
ph 619.449.3844
www.micromode.com

CAGE CODE
15907

ASSY PROCEDURES: N/A	MMSP SOLDER-ON SHROUD	
INSERTION/EXTRACTION TOOL: N/A	FULL DETENT	
SHEET 1 OF 1	PART NO. MMSP-7801	REVISION —
OL7801 1-10-05 DR .		