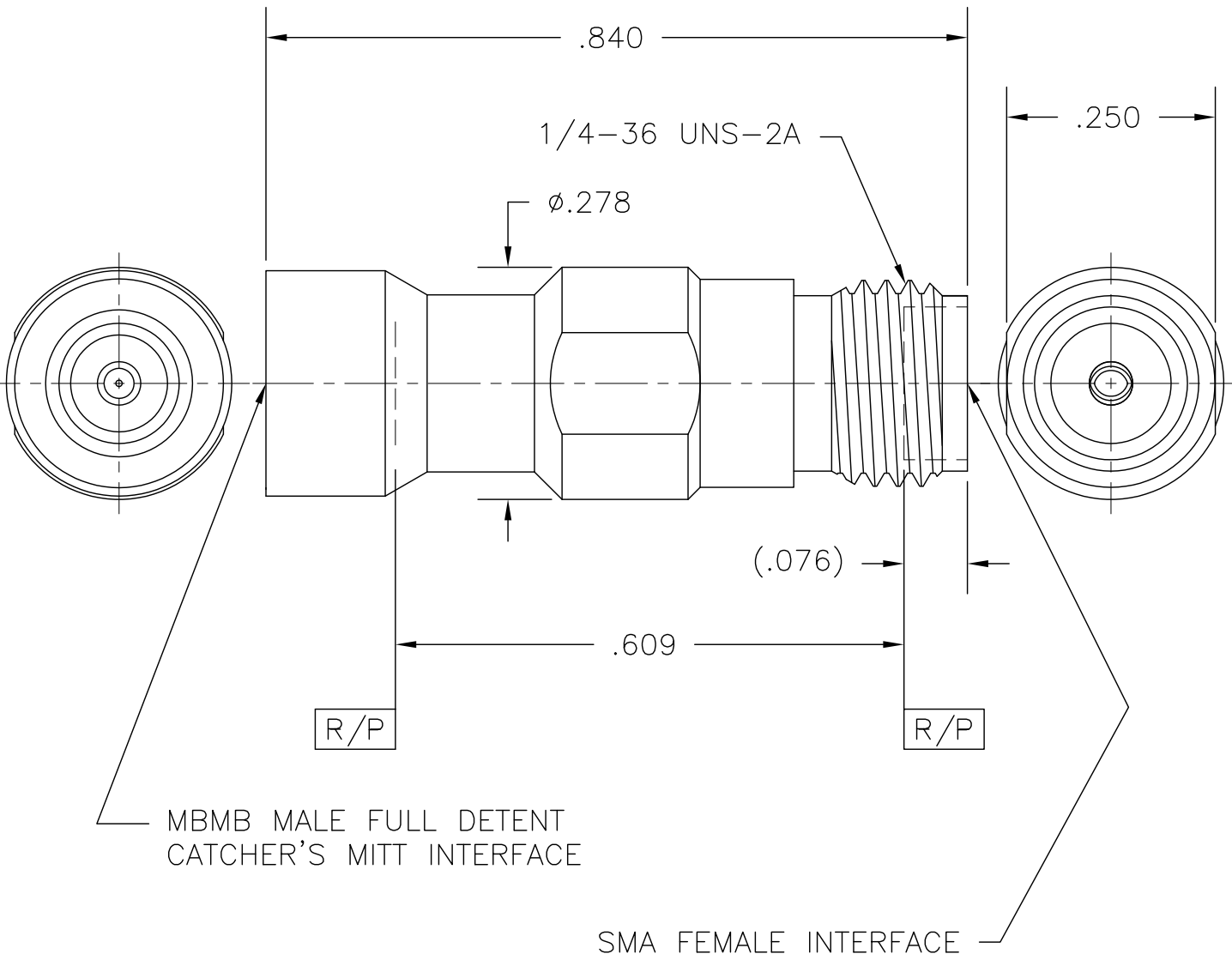


COMPONENT	MATERIAL AND FINISH	
BODY, CONTACT	BeCu, ASTM B196, UNS C17300	GOLD PLATE, MIL-G-45204, TYPE I, GRADE C, CLASS 1
INSULATOR	PTFE, ASTM D1710, TYPE I, GRADE 1, CLASS A	

PART NO. MADP-7726

OUTLINE DRAWING



MICRO-MODE PRODUCTS, INC.
The Reliable Connection to the Future

El Cajon, CA 92020
ph 619.449.3844
www.micromode.com

CAGE CODE
15907

ASSY PROCEDURES: N/A
INSERTION/EXTRACTION TOOL: N/A
SHEET 1 OF 1

MBMB(M) FDCM TO SMA(F) ADAPTER	
PART NO.	REVISION
MADP-7726	B

OL7726 11-5-04 MD EB