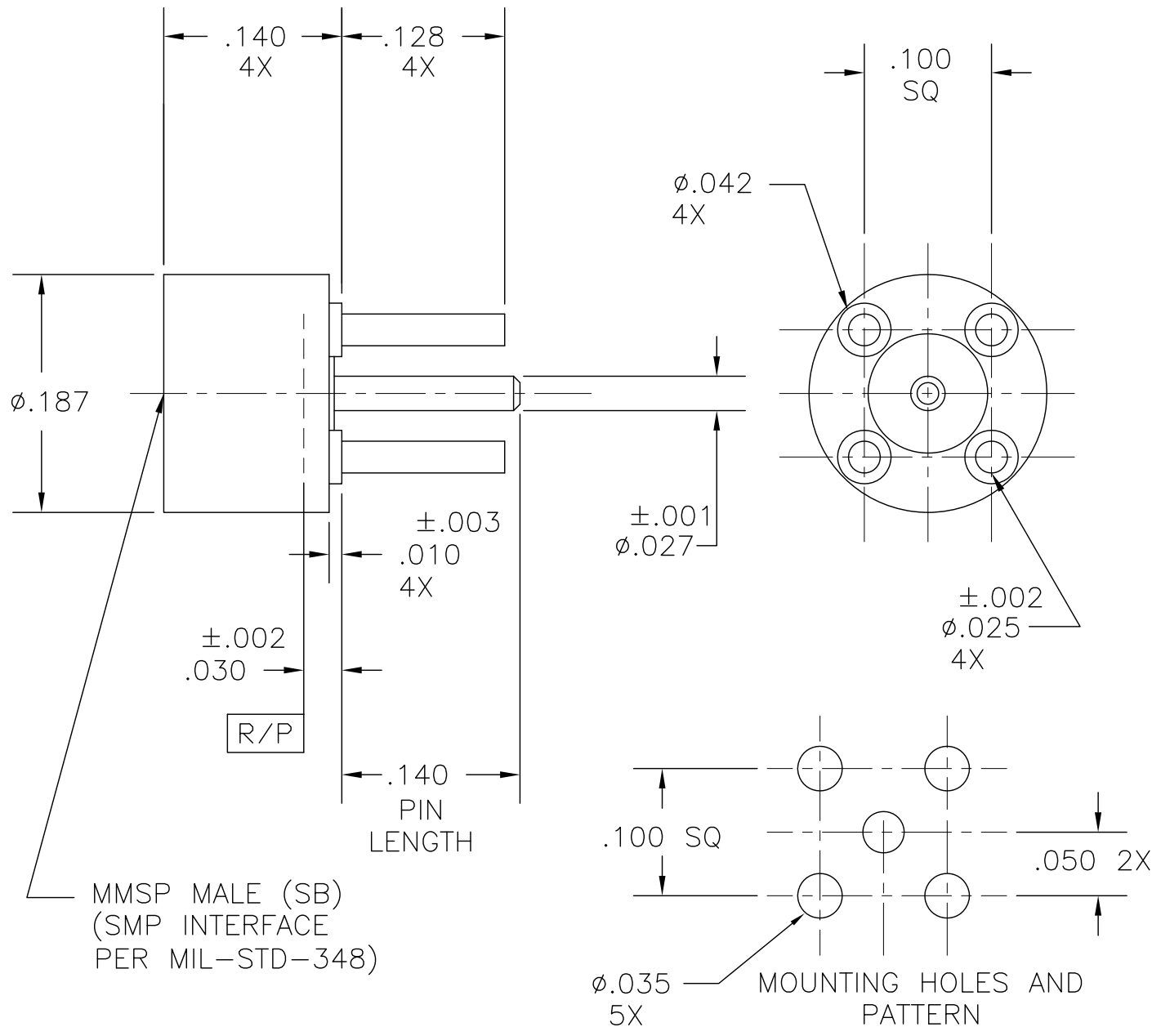


COMPONENT	MATERIAL AND FINISH	
BODY & CONTACT	BeCu, ASTM B196, UNS C17300	GOLD PLATE, MIL-G-45204, TYPE 1, GRADE C, CLASS 1
INSULATOR	ULTEM 1000 ASTM D5205	

PART NO. MMSP-7405

OUTLINE DRAWING



MICRO-MODE PRODUCTS, INC.
The Reliable Connection to the Future

El Cajon, CA 92020
ph 619.449.3844
www.micromode.com

CAGE CODE
15907

ASSY PROCEDURES: N/A
INSERTION/EXTRACTION TOOL: N/A
SHEET 1 OF 1 OL7405 6-13-06 DR MD

MMSP, MALE, SMOOTH BORE SHROUD TO PCB MOUNT	
PART NO. MMSP-7405	REVISION C