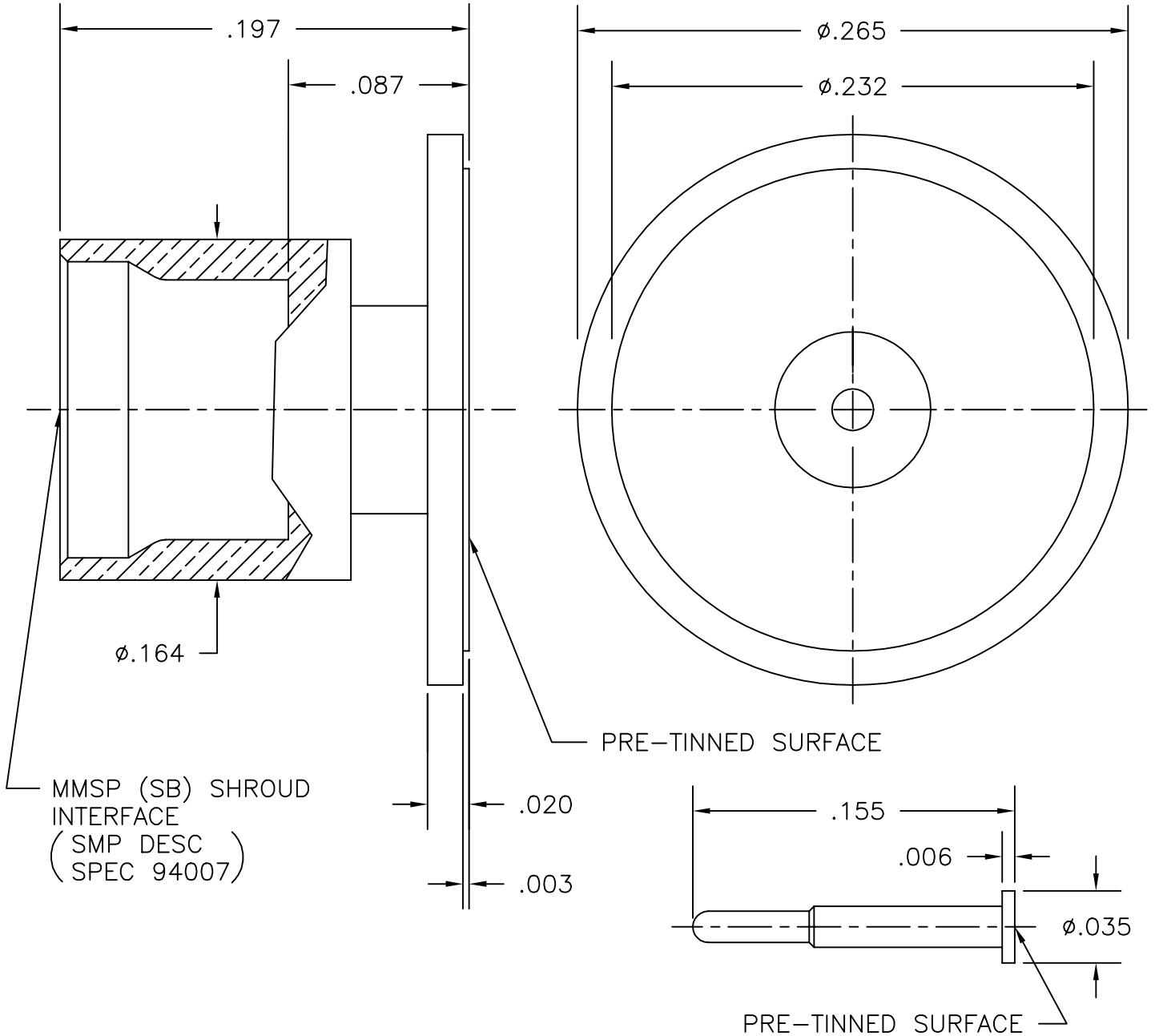


COMPONENT	MATERIAL AND FINISH	
CONTACT	BeCu, ASTM B196, UNS C17300	GOLD PLATE, MIL-G-45204, TYPE 1, GRADE C, 20 μ " MIN
SHROUD	BeCu, ASTM B196, UNS C17300	GOLD PLATE, MIL-G-45204, TYPE 1, GRADE C, CLASS 1
INSULATOR	PTFE, ASTM D1710, TYPE I, GRADE 1, CLASS A	

PART NO. MMSP-7355

OUTLINE DRAWING



MICRO-MODE PRODUCTS, INC.
The Reliable Connection to the Future

El Cajon, CA 92020 Peoria, AZ 85345
(619) 449-3844 (623) 334-8944

CAGE CODE
15907

ASSY PROCEDURES: N/A

INSERTION/EXTRACTION TOOL: N/A

MMSP SMOOTH BORE
SURFACE LAUNCH, PRE-TINNED

PART NO.

MMSP-7355

REVISION

—

SHEET 1 OF 1 OL7355 10-18-00 JC EB