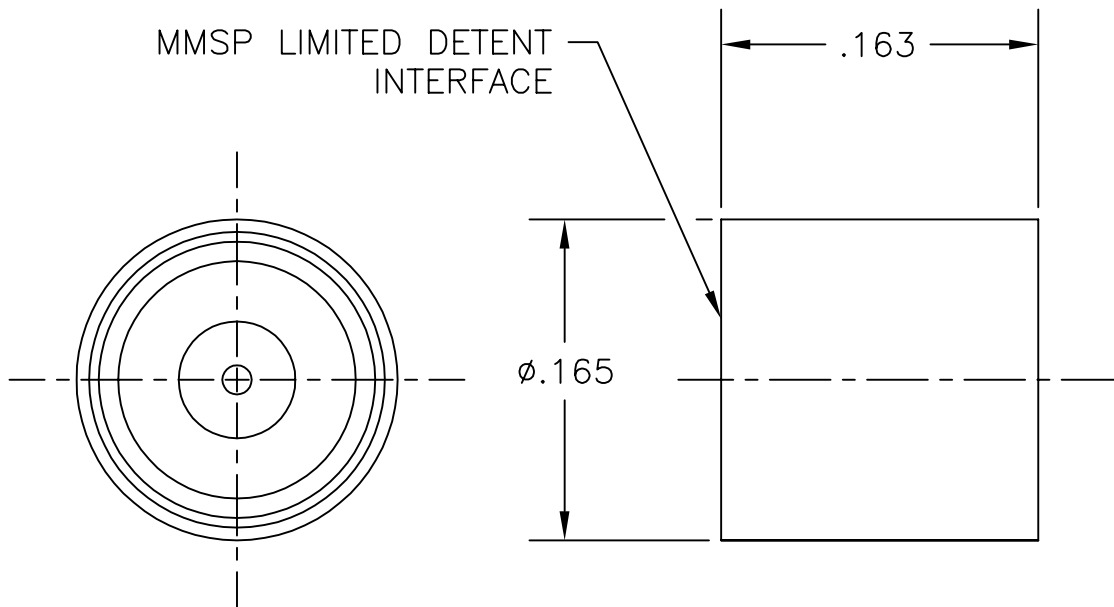


COMPONENT	MATERIAL AND FINISH	
BODY, & PIN	303 CRES, ASTM A582	PASSIVATE, AMS-QQ-P-35

PART NO. MMTL-7133

OUTLINE DRAWING



MICRO-MODE PRODUCTS, INC.  
*The Reliable Connection to the Future*

El Cajon, CA 92020  
 ph 619.449.3844  
 www.micromode.com

CAGE CODE  
 15907

ASSY PROCEDURES: N/A

INSERTION/EXTRACTION TOOL: N/A

MMSP, LIMITED DETENT  
 SETTING BUTTON

PART NO.

MMTL-7133

REVISION

—

SHEET 1 OF 1 | OL7133 11-17-03 MT .