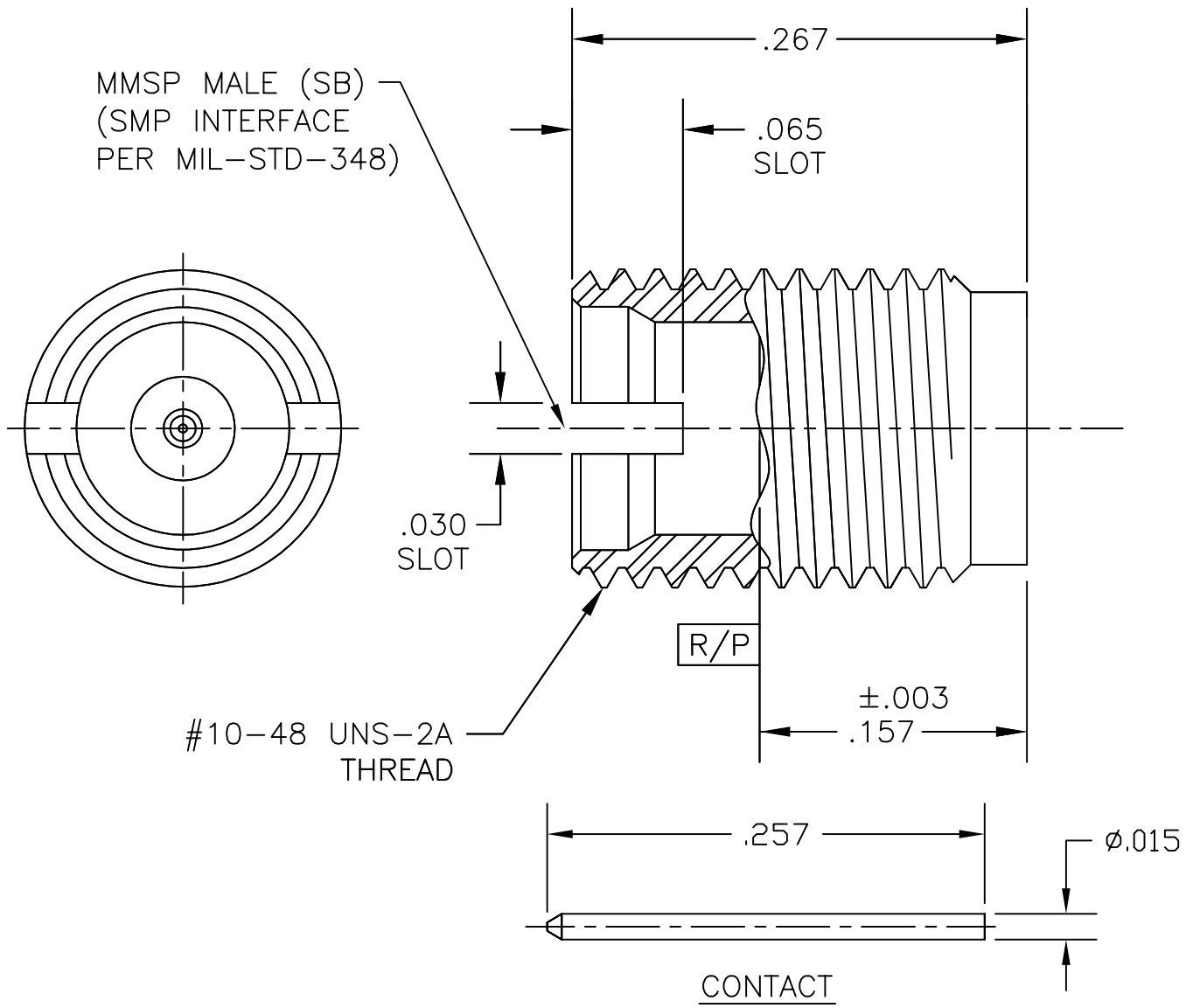


COMPONENT	MATERIAL AND FINISH	
CONTACT	BeCu, ASTM B196, UNS C17300	GOLD PLATE, MIL-G-45204, TYPE 1, GRADE C, CLASS 1
INSULATOR	TORLON 4203 MIL-P-46179, TYPE I	
BODY	303 CRES, ASTM A582	PASSIVATE, AMS-QQ-P-35

PART NO. MMSP-6978

OUTLINE DRAWING



 MICRO-MODE PRODUCTS, INC. <i>The Reliable Connection to the Future</i>	El Cajon, CA 92020 ph 619.449.3844 www.micromode.com	CAGE CODE 15907
--	--	--------------------

ASSY PROCEDURES: MMAP-2694	MMSP, MALE, SMOOTH BORE, THREAD-IN, STRAIGHT TERMINAL	
INSERTION/EXTRACTION TOOL: MMTL-2683		
SHEET 1 OF 1	PART NO. MMSP-6978 OL6978 8-8-03 MP .	REVISION 01