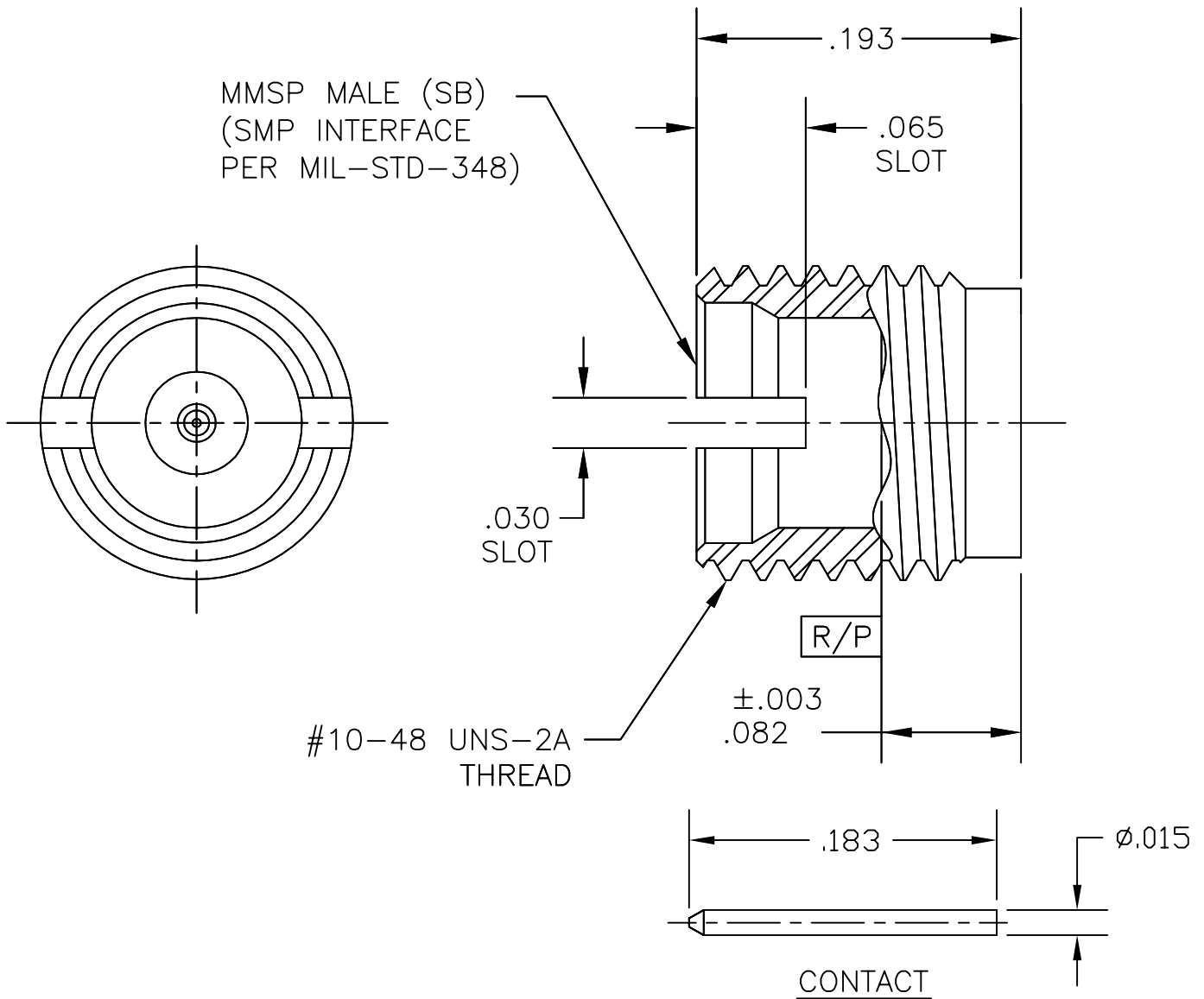


COMPONENT	MATERIAL AND FINISH	
CONTACT	BeCu, ASTM B196, UNS C17300	GOLD PLATE, MIL-G-45204, TYPE 1, GRADE C, CLASS 1
INSULATOR	TORLON 4203 MIL-P-46179, TYPE I	
BODY	303 CRES, ASTM A582	PASSIVATE, AMS-QQ-P-35

PART NO. MMSP-6977

OUTLINE DRAWING



MICRO-MODE PRODUCTS, INC.
The Reliable Connection to the Future

El Cajon, CA 92020
ph 619.449.3844
www.micromode.com

CAGE CODE
15907

ASSY PROCEDURES: MMAP-2694		MMSP, MALE, SMOOTH BORE, THREAD-IN, STRAIGHT TERMINAL	
INSERTION/EXTRACTION TOOL: MMTL-2683			
SHEET 1 OF 1		PART NO.	REVISION
OL6977	8-8-03	MP	MMSP-6977 01