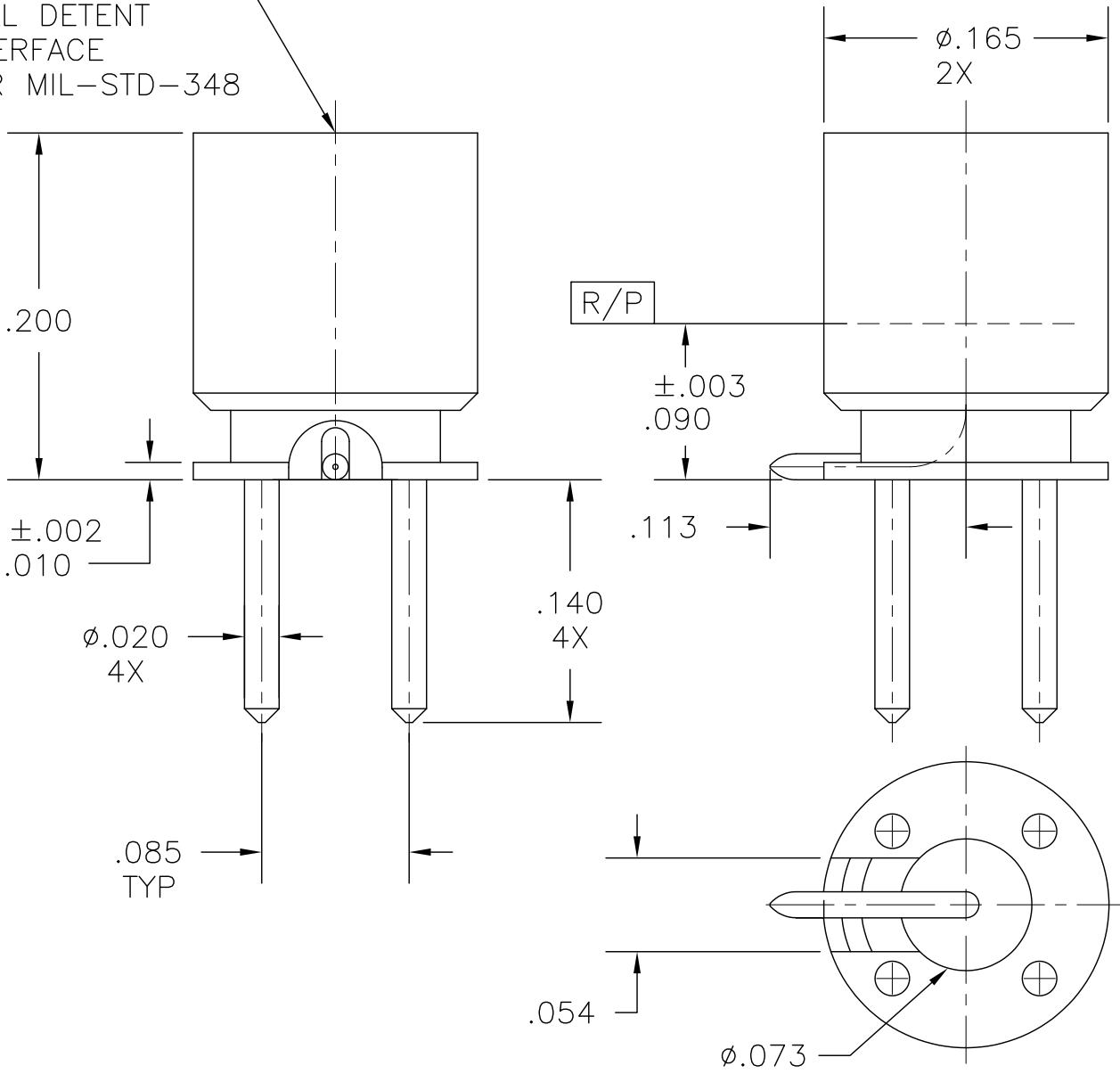


COMPONENT	MATERIAL AND FINISH	
PIN & BODY	BeCu, ASTM B196, UNS C17300	GOLD PLATE, MIL-G-45204, TYPE 1, GRADE C, CLASS 1
INSULATOR	TORLON (POLYAMIDE-IMIDE), MIL-P-46179, TYPE 1	

PART NO. MMSP-6972

OUTLINE DRAWING

SMP MALE  
FULL DETENT  
INTERFACE  
PER MIL-STD-348



MICRO-MODE PRODUCTS, INC.  
*The Reliable Connection to the Future*

El Cajon, CA 92020  
ph 619.449.3844  
www.micromode.com

CAGE CODE  
15907

ASSY PROCEDURE: MMAP-6973

LOCATOR TOOL: N/A

MMSP, MALE, FULL DETENT  
PCB, R/A LAUNCH

PART NO.

MMSP-6972

REVISION

C

SHEET 1 OF 1 | OL6972 7-21-04 MD EB