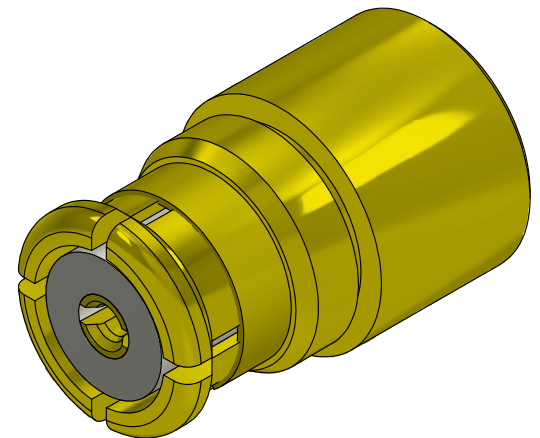
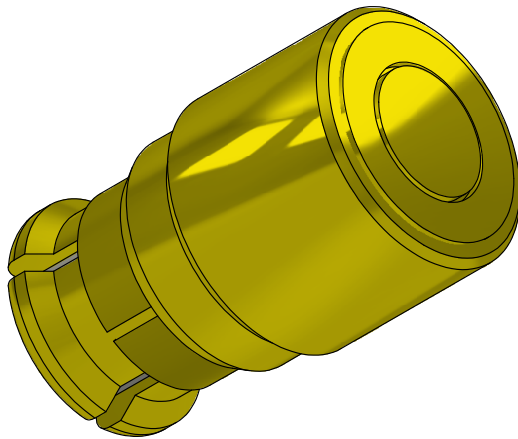
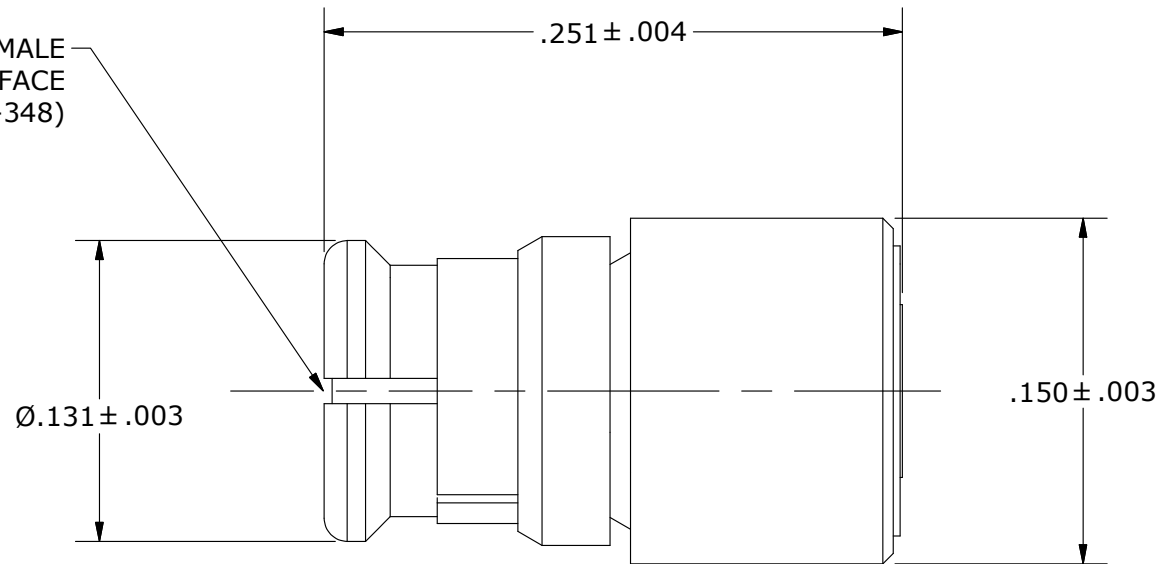
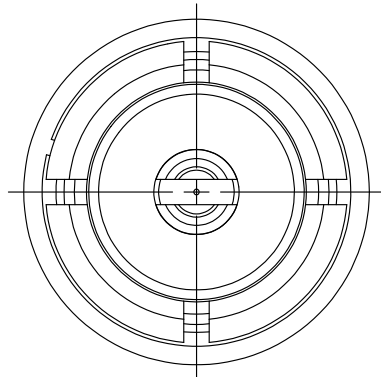



MMSP FEMALE
(SMP INTERFACE
PER MIL-STD-348)



COMPONENT	MATERIAL	FINISH	 MICRO-MODE PRODUCTS, INC. <i>The Reliable Connection to the Future</i>		El Cajon, CA 92020 ph 619.449.3844 www.micromode.com	CAGE CODE
BODY, CONTACT, ANTI-ROCK RING, EMI RING	BeCu, ASTM B196, UNS C17300	GOLD PLATE, MIL-DTL-45204, TYPE 1, GRADE C, CLASS 1	ASSEMBLY PROCEDURES: N/A TOOL: MMTL-4991		MMSP, FEMALE TERMINATION 50 OHM	
INSULATOR	PTFE PER ASTM D1710 TYPE 1, GRADE 1, CLASS A		SHEET 1 OF 1 1/4/2016 SE MT		PART NO. MMSP-6956	REVISION M