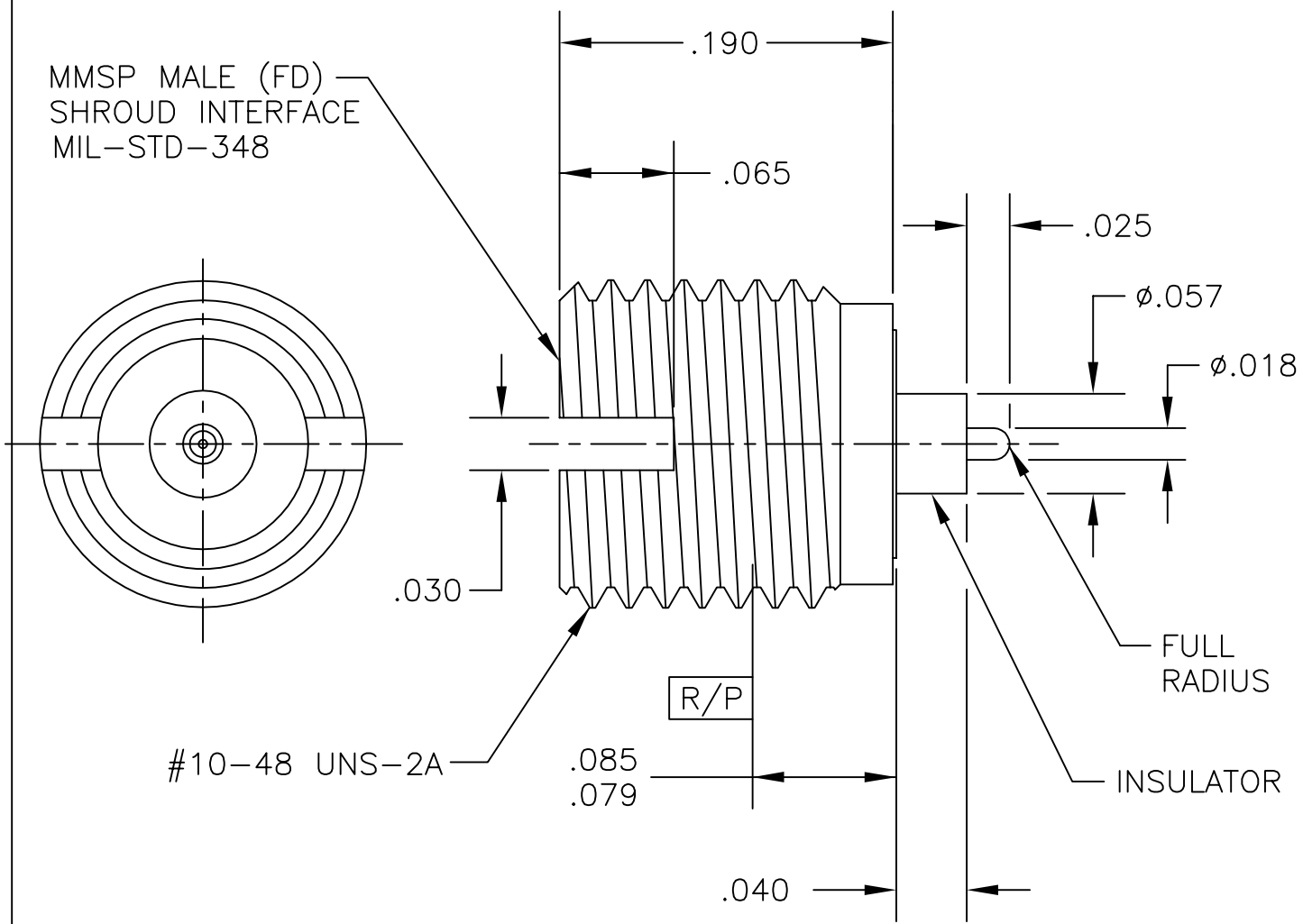


COMPONENT	MATERIAL AND FINISH	
CONTACT	BeCu, ASTM B196, UNS C17300	GOLD PLATE, MIL-G-45204, TYPE I, GRADE C, CLASS 1
INSULATOR	PTFE, ASTM D1710, TYPE I, GRADE 1, CLASS A	
SHROUD, BUSHING	303 CRES, ASTM A582	PASSIVATE, AMS-QQ-P-35

PART NO. MMSP-6829

OUTLINE DRAWING



MICRO-MODE PRODUCTS, INC.
The Reliable Connection to the Future

El Cajon, CA 92020
ph 619.449.3844
www.micromode.com

CAGE CODE
15907

ASSY PROCEDURES: MMAP-2694	MMSP, MALE, FULL DETENT, THREAD-IN, STRAIGHT TERMINAL	PART NO. MMSP-6829	REVISION
INSERTION/EXTRACTION TOOL: MMTL-2683			—
SHEET 1 OF 1	OL6829 6-17-03 RF DR		