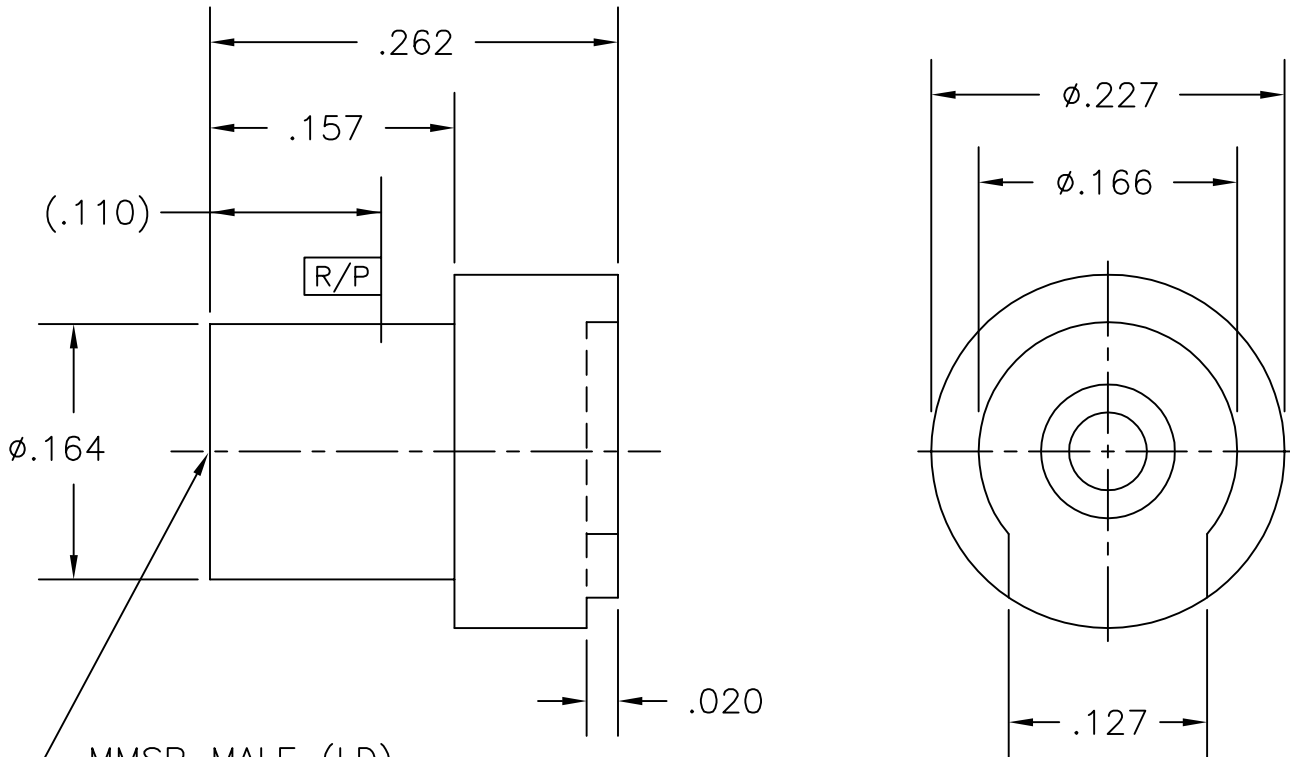


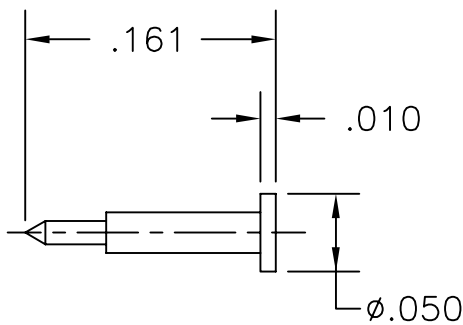
COMPONENT	MATERIAL AND FINISH	
CONTACT & HOUSING	BeCu, ASTM B196, UNS C17300	GOLD PLATE, MIL-G-45204, TYPE 1, GRADE C, CLASS 1
INSULATOR	PTFE, ASTM D1710, TYPE I, GRADE 1, CLASS A	

PART NO. MMSP-6828

OUTLINE DRAWING



MMSP MALE (LD)
INTERFACE
MIL-STD-348



MICRO-MODE PRODUCTS, INC.
The Reliable Connection to the Future

El Cajon, CA 92020
ph 619.449.3844
www.micromode.com

CAGE CODE
15907

ASSY PROCEDURE: N/A

MMSP, MALE, LIMITED DETENT
BACK PLANE MOUNT

LOCATOR TOOL: N/A

PART NO.

REVISION

SHEET 1 OF 1 | OL6828 6-16-03 RF MP

MMSP-6828

01